

METTLER TOLEDO

pureO₃ Dissolved Ozone Sensor

Instruction Manual



en	Instruction manual	3
de	Betriebsanleitung	29
fr	Instructions d'utilisation	57
Annex (RoHs table)		28

English **Page 3**

Deutsch **Seite 29**

Français **Page 57**

Annex (RoHS table) **Page 28**

Important Safety Information

This manual includes safety and critical information with the following designations and formats:

Warning: potential for personal injury.

Caution: possible product damage or malfunction.

Note: important operating information.

The 25 mL bottle of O₃-Electrolyte included with the dissolved ozone sensor and maintenance kits contains borates and should not be handled by pregnant women. Please maintain a copy of the applicable SDS in your safety file.

This document contains proprietary information, which is protected by copyright. All rights are reserved.

No part of this document may be photocopied (other than where specifically noted), reproduced or translated, into another language without the prior written consent of Mettler-Toledo Thornton, Inc.

pureO₃ and ISM are registered trademarks of the METTLER TOLEDO Group in Switzerland, the USA, the European Union and a further five countries.

Contents

Introduction	5
Overview of Operation	5
System Configuration	6
Figure 1: Typical pharmaceutical ozone loop	6
Sensor Requirements	7
System and Measurement Operation	7
Installation	8
Calibration	10
Zero Calibration Procedure	10
Slope Process Calibration Procedure	13
Calibration Diagnostics	16
Sensor Storage	17
Service	18
Cleaning	18
Service Indications	18
Electrolyte and Membrane Change	18
Interior Body Change	19
Service Tips	20
Troubleshooting Tips	20
Figure 2: Mounting and Dimensions of Dissolved Ozone Sensors	22
Figure 3: Ozone Sensor Component Identification for Maintenance Purposes	23
Specifications	24
Spare and Replacement Parts	25
Accessories	26
ISM	27
Environmental protection	27
Warranty	27
ANNEX (RoHS table)	28

Introduction

This manual covers installation, operation and maintenance of the METTLER TOLEDO Thornton pureO₃[®] Dissolved Ozone Sensor.

The pureO₃ sensor is a fast responding sensor with built in digital measuring circuit and Intelligent Sensor Management (ISM[®]) capabilities. The pureO₃ sensor is designed for monitoring low concentrations of dissolved ozone in microelectronics and pharmaceutical pure water samples, bottled water and similar applications. It delivers long-term operation with minimal maintenance.

Overview of Operation

The pureO₃ sensor uses a gas permeable membrane to separate the sample from the electrochemical cell inside. Ozone diffuses through the membrane in direct proportion to the partial pressure of ozone outside the sensor. The cathode and anode inside the sensor are polarized with a voltage to enable the electrochemical reaction of ozone. Ozone is reduced at the cathode while the anode is oxidized, producing a current in direct proportion to the amount of ozone present. The very low current developed by these sensors allows them to have a long life with low maintenance.

An embedded temperature sensor enables temperature compensation to adjust for the changing permeability of the membrane with temperature. In addition, the instrument uses the temperature value to convert the ozone partial pressure signal to a dissolved ozone concentration value by compensating for the changing solubility of ozone with temperature.

	Part Number
pureO₃ sensor	30 139 305
Polycarbonate housing	58 084 012
Stainless steel housing	58 084 020
AK9 cable, 1 m (3.3 ft)	59 902 167
AK9 cable, 3 m (9.8 ft)	59 902 193
AK9 cable, 5 m (16.4 ft)	59 902 213
AK9 cable, 10 m (32.8 ft)	59 902 230

Longer cable lengths listed with Accessories on Page 26

A complete dissolved ozone sensor consists of:

- Dissolved ozone sensor with electrolyte
- AK9 cable for ISM transmitters
- Flow housing (either polycarbonate or stainless steel)

For a complete measurement system, a METTLER TOLEDO Thornton transmitter is required.

See the M800, M300 or M200 transmitter manual.

System Configuration

A pharmaceutical water ozonation system (shown in Figure 1 below) typically uses three ozone measurement points:

1. Following the ozonated water storage tank.
2. Following the UV ozone destruction lamp to confirm no ozone is going to the distribution loop.
3. At the end of the distribution loop, to verify that adequate levels of ozone have reached the entire distribution loop during sanitization with the UV ozone destruction lamp off.

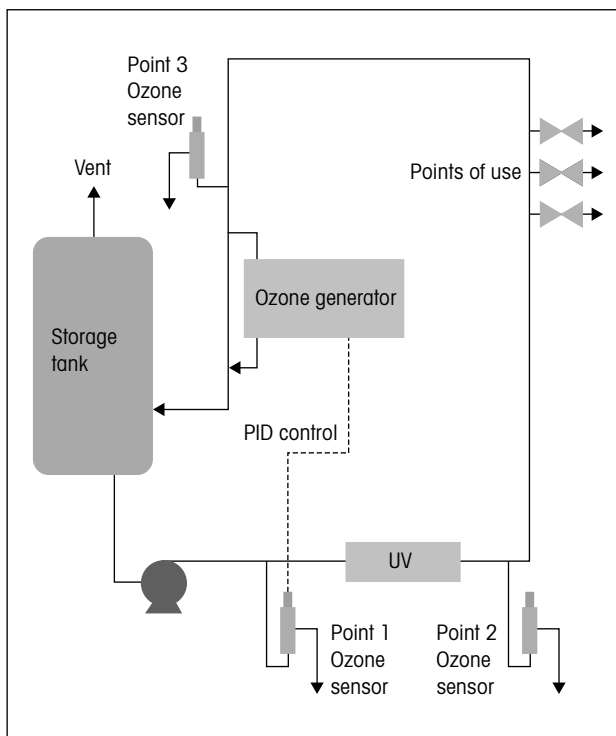


Figure 1: Typical pharmaceutical ozone loop

A microelectronics ultrapure water system typically does not shut down for sanitization and omits the third measurement point.

Sensor Requirements

Ozone sensors require a period of polarization at first start-up in the presence of ozonated water before they develop a signal. They require additional time to achieve stability. During polarization, readings can remain at zero for as long as 45 minutes after ozone is first introduced and then the sensor signal will rise to its steady-state response level when calibration can be performed. If a large volume holding tank is in the recirculation loop, additional time may be needed for its ozone concentration to stabilize.

Once a sensor has been polarized, that condition will be held for a long period, even when zero ozone is present. Re-polarization is necessary only if the sensor is unpowered from the transmitter for more than ten minutes or if the electrolyte or membrane is replaced.

System and Measurement Operation

Polarization of sensors at measurement points 2 and 3 (refer to Figure 1 on page 6) above may be difficult because of low ozone concentration during normal operation. It is recommended to install and operate the pureO₃ sensor during an ozone sanitization that lasts long enough to achieve full polarization.

Alternatively, if the sensor flow housings are mounted close together, it may be possible to temporarily place the point 2 and point 3 sensors, one at a time, into the flow housing for point 1. This must be done without disconnecting the sensors' electrical connections. This process allows polarization of those sensors in ozonated water during normal operation.

Installation

The sensor location should be in a protected indoor area with reasonably stable and uniform temperature with no radiant sources of heat such as steam pipes nearby.

Stainless steel or ozone-compatible polymer sample lines are recommended. Make the sample line as short as possible to minimize the time delay in sampling which could allow decay of the ozone. Locate the sensor where it and the sample water will be easily accessible for calibration.

Caution: Before installation, the membrane with electrolyte must be assembled on the sensor. Also after dry storage of more than 2 days, rinse out the membrane body with deionized water and replace the sensor electrolyte solution to achieve full response and stability.

For proper operation, the sensor must be installed in a METTLER TOLEDO Thornton flow housing.

The flow rate should be between 200 and 500 mL/min.

1. Mount the flow housing with the mounting holes and hardware appropriate for the panel. Locate the flow housing under or to the side of the transmitter or any other electronic equipment to protect the equipment from water damage. Allow clearance above the sensor for convenient removal for calibration.
2. Flush the upstream sample line at a high flowrate to remove any debris in the line before connecting the flow housing.
3. Install appropriate fittings to the 1/4" NPT(F) (0.635 cm) ports of the flow housing, if used, using pipe sealant.

Caution: Tighten fittings only one turn past hand tight. Do not over-tighten or the plastic flow housing tapered pipe threads may be damaged.

4. Connect the sample line and drain to the fittings.
The bottom port is the inlet.

Caution: If using the plastic housing, use a second wrench when connecting the sample line to a compression fitting to prevent over-tightening the pipe thread into the flow housing and damaging the threads.

5. Connect the AK9 cable to the ozone sensor. Connect the other end of the cable to the appropriate channel of the M800 or other compatible METTLER TOLEDO transmitter. See the transmitter manual for instructions.
6. **Be sure electrolyte solution has been added to the sensor before proceeding.**
(See page 18 for Electrolyte and Membrane Change)

7. **Remove the protective green cap and install the sensor in the flow housing.** Set the sample flowrate at 200–500 mL/min. Save the cap for protection when the sensor is removed from the flow housing.
8. Use the polarization procedure programmed in the M800 transmitter to polarize the sensor in water with > 50 ppb of ozone concentration to activate the sensor. This procedure supplies a repeating voltage to the sensor for a period of 11 minutes and is required for rapid polarization of the sensor. See M800 menu windows for clarification (The METTLER TOLEDO Thornton M800 transmitter is used for reference in this manual. Please see the relevant manual for other transmitters.)



Screen appears when sensor is connected.



M800 will calculate polarization time.
Press **Enter** to advance menu.



M800 will automatically count down polarization procedure time.

9. Allow at least 6 hours of powered operation in a process sample with > 50 ppb of ozone concentration to stabilize the measurement before performing a comparison calibration and a zero calibration as described below.

Calibration

Calibration of the sensor calculates new calibration constants for the sensor (zero current and a slope). The zero current is normally in the range between ± 1 nA. The slope is normally in the range between -0.05 and -0.35 nA/ppb ozone.

Calibration data for a sensor used with the M300/M800 transmitters is stored in non-volatile memory and can be viewed under the ISM / Calibration Data menu for the appropriate channel.

Calibration data for a sensor used with the M200 transmitter is accessed via the INFO \ Calibration Data mode.

For most applications, ozone-free air or water provides the most reliable standard for the zero current calibration.

Note: To achieve full polarization and proper operation, the sensor must be connected to a powered transmitter and in in a process sample with > 50 ppb of ozone concentration for at least 6 hours before calibrating or measuring to obtain rated accuracy. For best results a recalibration (slope adjustment) after 24 hours of operation is recommended.

Zero Calibration Procedure

Zero current calibration should be performed at infrequent intervals thereafter since it does not normally change significantly. A zero calibration changes the zero current from the factory value.

1. The HOLD function in the transmitter will activate automatically according to user settings. See the transmitter's manual for instructions on programming HOLD settings.
2. Shut off the sample flow to the flow housing and, while keeping the sensor connected electrically, remove the sensor and hang it in open air (be sure that all liquids which can contain ozone are flushed away and that the sensor membrane is dried with a lint free cloth).
3. Wait for a stable ozone reading, typically for 15 minutes. The transmitter should give a stable reading at less than 1 ppb before initiating the calibration.
4. Proceed through the transmitter CALIBRATION menu. Perform a one-point zero calibration. The menu for the M800 is shown here, please see the relevant manual for other transmitters.



a. Enter **Calibration Menu**.



b. Select **Calibrate Sensor**.



c. Select **channel** and units. Set method to **1-Point**. Press **Cal**.



d. Place sensor in zero ozone. Press **Next**.



e. Press **Next** to calibrate zero point.



f. Press **Adjust** to accept calibration.



g. Press **Done** to return to measurement.

5. When complete, reinstall the sensor into the flow housing.
6. Cycle the sample flow on and off to remove any retained bubbles. Restore flow to 200–500 mL/min.
7. When the measurement has returned to its normal value and is stable, deactivate the HOLD function in the transmitter or allow it to time out. See the transmitter manual for instructions.

Slope Process Calibration Procedure

Dissolved ozone sensor output will vary slightly over time as the electrolyte, membrane and electrodes age. Periodic calibration to a standard ozone measurement is needed at intervals based on experience in the particular application. Slope calibration is recommended every six months. The calibration cycle may change based on application and accuracy requirements. A slope calibration is performed by comparison while measuring a stable ozonated sample. Use the value of another reference ozone system using the same water sample.

Colorimeter methods are typically used for ozone measurement. Colorimeters have limited accuracy and are more accurate at higher concentrations. It is recommended to perform a slope calibration during sanitization when the ozone concentration is > 200 ppb and stable. Slope calibration must not be performed at locations where the ozone has been removed by UV.

Because of the rapid decay of ozone in samples and the limited repeatability of the ozone colorimetric method, it is good practice to take at least three colorimeter measurements to establish consistency and to take a fourth one if a significant deviation is found between the first three. For calibration, use the average of two measurements that are consistent (e.g. within 10 ppb of each other).

Colorimeter samples must be taken from the same point and measured very quickly to limit errors due to the rapid natural decay of ozone. Slope calibration will change the stored slope value. For best accuracy, calibrate at the normal operating sample temperature.

1. The transmitter and sensor must operate at least 6 hours in a sample with more than 50 ppb of ozone. Please note that for accurate calibration, the ozone level must be a minimum of 200 ppb.
2. Once a steady state of ozonation has been achieved with an accompanying stable reading note the value from the on-line sensor.
3. Proceed through the transmitter CALIBRATION menu to perform a slope calibration.



a. Enter **Calibration Menu**.



b. Select **Calibrate Sensor**.



c. Select **channel** and units. Set method to **Process and Slope**. Press **Cal**.



d. Press **Enter** when reading is stable to store ozone value.



e. Return to **Calibration Menu**.



f. Enter ozone concentration from reference.
Press **Next** to calibrate slope.



g. Press **Adjust** to accept calibration.



h. Press **Done** to return to measurement.

Measurement points immediately before and after the UV unit are typically close together and should read the same when the UV unit is off. Therefore one point can be calibrated to match the colorimetric result and then the second point can be calibrated to match the first point. A separate colorimetric measurement must be made for end of distribution loop, because normal ozone decay can cause a significant drop in the concentration.

Calibration Diagnostics

The zero current value is recalculated whenever a zero calibration is performed. The displayed value is in nanoamps and is typically within ± 1 nA for a functioning sensor.

The slope is recalculated whenever a slope calibration is performed and is typically within -0.05 to -0.35 nA/ppb ozone. The table below summarizes calibration data nomenclature and ranges. The slope values are displayed with negative (–) polarity.

Zero (air) Calibration	Slope Calibration
Zero current: ± 1 nA	Slope: – 0.05 to – 0.35 nA/ppb ozone

A continuous trend of slope values in one direction after several calibrations can indicate that the sensor is drifting and needs electrolyte (and possibly membrane) replacement. Slope values that move up and down may indicate limitations of the repeatability of the reference measurement.

Sensor Storage

Store the sensor at room temperature with the tip immersed in water. For dry storage more than 2 days, remove the electrolyte and rinse internal parts with deionized water. Allow to dry and store membrane disassembled from the sensors. The electrolyte must then be replaced and membrane reassembled in sensor before reinstalling in process water.

Service

Cleaning

Cleaning should not be necessary in the typical pure water applications intended for this sensor. Any accumulation of solids on the membrane surface or in the flow housing should be washed off or cleaned briefly with an agent suitable for removing it. If physical cleaning is needed, use a lint-free cloth or tissue very gently.

Warning: Use standard pre-cautionary measures in handling any materials used for cleaning.

Service Indications

The electrolyte does not need to be changed frequently; the electrolyte of the pureO₃ sensor is optimized for long term measurement (6 months at 200 ppb ozone).

The membrane body and electrolyte should be replaced once a year or if a visual inspection shows signs of mechanical damage. They should also be replaced if the sensor has a noticeable increasing or decreasing response, indicated by a slope value trend shown over a number of slope calibrations or if the sensor cannot be calibrated.

The interior sensor body or complete sensor should be replaced if a visual inspection shows a crack in the glass of the interior body or if the sensor shows leakage current. (With electrolyte and membrane body removed and the internal body carefully dried there should be a zero reading.)

With sensor use, the anode (middle section of the interior body) may develop various shades of green on its surface which is normal and does not affect sensor performance.

Warning: Contact of electrolyte with mucous membrane or eyes is to be avoided. Therefore wear gloves for disassembly. If such contact occurs, rinse the affected area well with water. Should adverse signs appear, get medical attention. Please see the electrolyte SDS for more information.

Electrolyte and Membrane Change

Perform sensor disassembly only in a clean work area. Refer to Figure 3 on page 23 for parts identification.

1. Unscrew the cap sleeve from the sensor shaft and carefully pull it off the sensor.
2. If necessary, eject the membrane body from the cap sleeve by pushing it from the end with a flat fingertip. (Before electrolyte is refilled, the membrane body must be removed from the cap sleeve.)

3. Rinse the interior body with deionized water and carefully dab it dry with a paper tissue.
4. Examine the O-rings visually for mechanical defects, and replace if necessary.
5. Rinse the interior body (anode, guard and cathode) with pureO₃ electrolyte (PN 30 135 837).
6. Half fill the new membrane body with pureO₃ electrolyte.

Important: Make sure that all air bubbles are removed from the electrolyte in the membrane body. Air bubbles can be removed by sharply tapping on the side of the membrane body.

7. Slip the membrane body over the interior body while holding the sensor in a vertical position. The excess electrolyte will be displaced and must be absorbed with a paper tissue.

Note: No electrolyte, sample media or contamination may be present between the membrane body and the cap sleeve. Be sure both parts are clean and dry.

8. Carefully slip the cap sleeve over the fitted membrane body, holding the sensor in a vertical position and screw it tight.
9. After changing electrolyte and membrane body, the sensor must be fully repolarized (use polarization procedure in the transmitter) in the presence of ozone and recalibrated.

Interior Body Change

Perform sensor disassembly only in a clean work area. Refer to Figure 3 on page 23 for parts identification.

1. Unscrew the cap sleeve from the sensor shaft and carefully pull it off the sensor.
2. If necessary, eject the membrane body from the cap sleeve by pushing it from the end with a flat fingertip. Before electrolyte is refilled, the membrane body must be removed from the cap sleeve.
3. Loosen the retainer nut of the interior body with a 3/8" (9.5 mm) or adjustable wrench and remove it.
4. Remove the interior body by pulling it out of the sensor shaft. If necessary use pliers.

Caution: Do not twist the interior body or the connector pins can be damaged.

5. Insert the new interior body in the sensor shaft. Turn the interior body in the shaft until the slit of the interior body is aligned with the pin placed in the shaft.
6. Press the body into the shaft and screw the new retainer nut in place.

7. Go to step 4 of the **Electrolyte and Membrane Change** section.

Service Tips

Sensor maintenance is normally required more frequently on sensors that are exposed to ozone continuously.

The need for electrolyte change is usually indicated by a downward drift in ozone reading as described in the services section. However, when automatic PID control of the ozone generation system is based on the point 1 measurement, the controller will increase the ozonation rate to maintain the reading at the set point. (See figure 1) In this case, the symptoms will be an increasing ozonation rate and colorimetric measurements that are consistently increasing above the on-line instrument reading.

Once experience has been gained with a particular ozone generation system, a sensor maintenance schedule can be established to minimize process interruption.

Troubleshooting Tips

If zero current is unstable or out of range:

- Water on membrane
 - Verify that the membrane surface is dry
- Bubbles in electrolyte
 - Remove membrane cartridge, check for air bubbles trapped in electrolyte
- Depleted electrolyte
 - Replace electrolyte, reassemble and recalibrate sensor
- Expired membrane
 - Replace membrane and electrolyte, reassemble and recalibrate sensor
- Expired interior body
 - Replace interior body of sensor, membrane and electrolyte, reassemble and recalibrate sensor

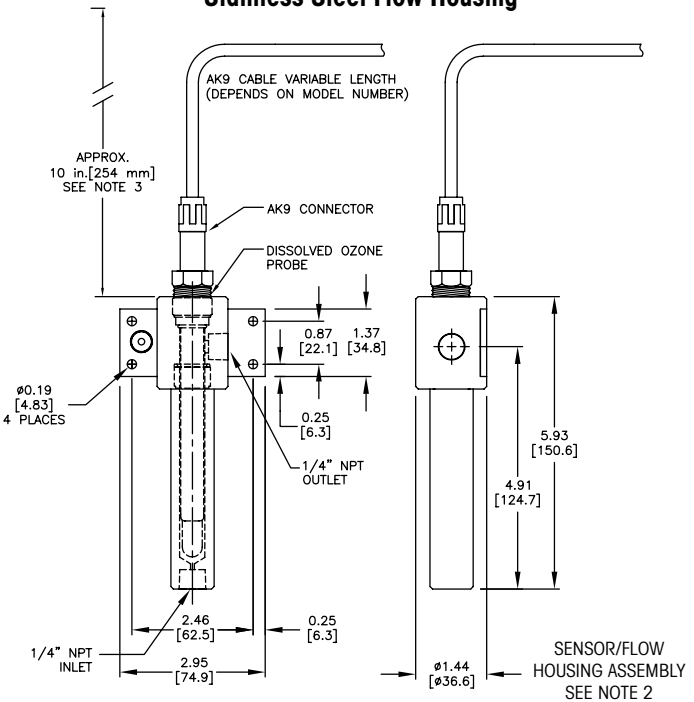
If slope is too low:

- Contamination of cathode (e.g. oils from skin)
 - Gently clean the cathode with warm soapy water
 - Rinse the cathode after cleaning with plenty of deionized water
- Depleted electrolyte
 - Replace electrolyte, reassemble and recalibrate sensor

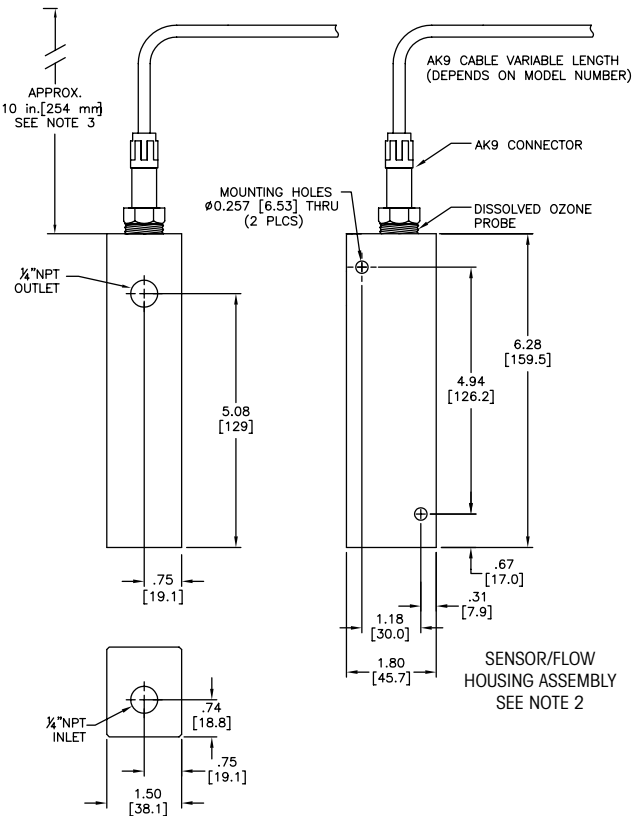
If slope is too high:

- Expired membrane
 - Replace membrane and electrolyte, reassemble and recalibrate sensor

Stainless Steel Flow Housing



Polycarbonate Flow Housing



Notes:

1. Dimensions in parenthesis are millimeters.
2. Sensor/Flow housing assembly must be in upright position as shown.
3. Allow approximately 10 in. (254 mm) clearance to remove sensor.

Figure 2: Mounting and Dimensions of Dissolved Ozone Sensors

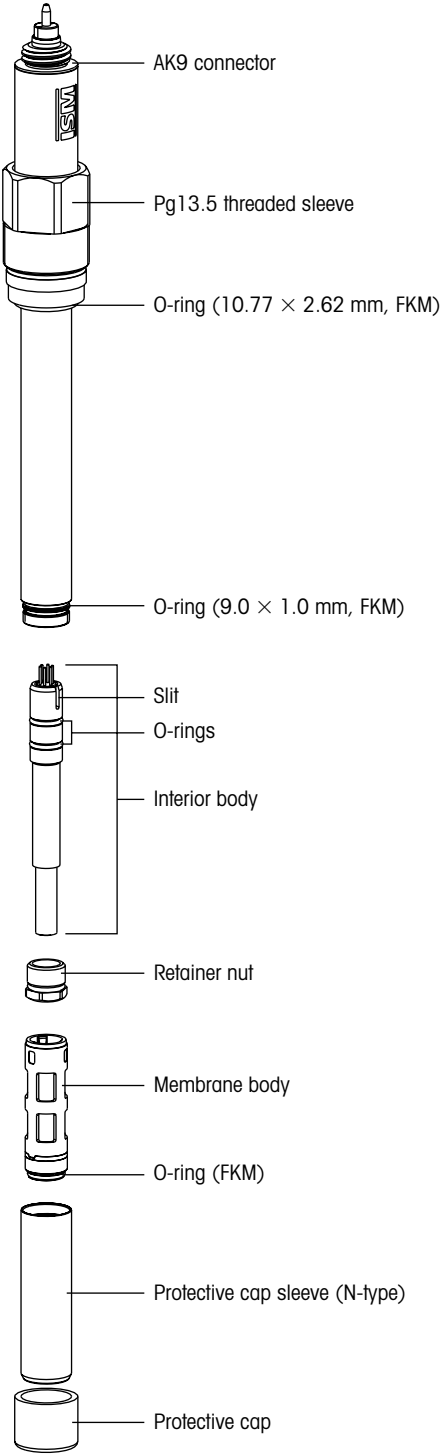


Figure 3: Ozone Sensor Component Identification for Maintenance Purposes

Specifications

Sample flowrate	200–500 mL/min in housing; 0.5–3 ft/s (0.15–1 m/s) without housing
Sample temperature	5–50 °C (41–122 °F) for compensation; can tolerate 100 °C (212 °F)
Sample pressure	0.8–3 bar gauge (0–45 psig)
Sample connections	1/4" NPT(F)
Wetted materials	polycarbonate or 316L stainless steel flow housing, 316L/1.4404 stainless steel sensor, silicone rubber membrane, FKM O-rings
Cable lengths	1–80 m (3.3 ft–262.5 ft), see page 26 for full list)
Weight	0.5 lb (227 g)
Relative system accuracy*	± 1 % of reading or 0.4 ppb, whichever is greater
Temperature accuracy	± 0.5 °C
Response time	30 seconds for 90 % response, upscale
Typical polarization times	6 hours at > 50 ppb (with use of the polarization procedure in the appropriate transmitter)
Measurement range	0–5,000 ppb, 0–5.00 ppm short term; 0–500 ppb, 0–0.5 ppm continuous
Instrument firmware	M800 version 1.5.01 or higher M300 version 1.0.01 or higher M200 version 2.2.00 or higher

* System accuracy is dependent on the accuracy of the reference system used for calibration

Spare and Replacement Parts

	Part No.
pureO ₃ replacement sensor (standard 120 mm length)	30 139 305
pureO ₃ membrane kit including electrolyte, 4 membranes and O-rings	30 235 170
Interior sensor body for pureO ₃	30 236 790
pureO ₃ electrolyte, 25 mL	30 135 837
Replacement polycarbonate flow housing	58 084 012
Replacement stainless steel flow housing	58 084 020

Accessories

Replacement AK9 Cables for ISM Instruments	Part No.
1 m (3.3 ft)	59 902 167
3 m (9.8 ft)	59 902 193
5 m (16.4 ft)	59 902 213
10 m (32.8 ft)	59 902 230
20 m (65.6 ft)	52 300 204
30 m (98.4 ft)	52 300 393
50 m (164 ft)	52 300 394
80 m (262.5 ft)	52 300 395

ISM

Intelligent Sensor Management functions provide the following predictive maintenance information on an M800 and M300 transmitter display:

Full sensor identification

- Sensor type
- Serial number
- Calibration history
- Actual calibration
- Factory calibration
- The last 3 calibrations

Predictive Diagnostics

- **ACT** (Adaptive Calibration Timer)
 - Adaptive Calibration Timer indicates the amount of time remaining until a calibration is recommended, based on time and concentration of ozone exposure.
- **TTM** (Time To Maintenance for electrolyte & membrane body)
 - Indicates the amount of time remaining until electrolyte and membrane replacement is recommended, based on time and concentration of ozone exposure
- **DLI** (Dynamic Lifetime Indicator) for inner body
 - Integrates ozone concentration to predict when inner body should be replaced.
- **SAN** Sanitization counter
 - Limit of ozone concentration and duration of sanitization cycle can be defined on the transmitter
 - Sanitization cycles are not taken into account for the DLI/ACT/TTM calculations

Environmental protection

Waste electrical products should not be disposed of with household waste. Please recycle where facilities exist. Check with your Local Authority or retailer for recycling advice.




Warranty

In the event of manufacturing faults, 12 months warranty from date of production is granted.

ANNEX (RoHS table)

产品中有害物质的名称及含量 Toxic and hazardous substance name and containment in product						
有毒有害物质或元素 Toxic and hazardous substances						
部件名称 Part Name	铅 Lead (Pb)	汞 Mercury (Hg)	镉 Cadmium (Cd)	六价铬 Hexavalent chromium (Cr6+)	多溴联苯 Polybrominated biphenyls (PBB)	多溴二苯醚 Polybrominated diphenyl ethers (PBDE)
插头 Elect. Connector	x	○	○	○	○	○
电路板 PCBA	x	○	○	○	○	○

本表依据SJ/T 11364的规定编制。本产品符合以下标志规范：
 Table composed in accordance with SJ/T 11364 (CN). This product is bearing the following symbol:



○ : 表示该有害物质在该部件所有均质材料中的含量均在GB/T 26572规定的限量要求以下
 ○ : Indicates that the content of the hazardous substance in all homogeneous materials of the part is below the limit specified in GB / T 26572

x : 表示该有害物质至少在该部件的某一均质材料中的含量超出GB/T 26572规定的限量要求。
 x : Indicates that the content of the toxic substance in at least one of the homogeneous materials of the part exceeds the limits specified in GB/T 26572.

Wichtige Sicherheitsinformationen

Diese Bedienungsanleitung weist mit den folgenden Bezeichnungen und Hervorhebungen auf besondere Gefährdungen hin:

Achtung: Verletzungsgefahr.

Vorsicht: Gerätegefährdung oder Störung.

Hinweis: Wichtiger Betriebshinweis.

Die zusammen mit dem Sensor für gelöstes Ozon und den Wartungs-Kits gelieferte 25-ml-Flasche mit O₃-Elektrolyt enthält Borate und sollte nicht von schwangeren Frauen verwendet werden. Bitte bewahren Sie eine Kopie des Sicherheitsdatenblattes in Ihrem Sicherheitsordner auf.

Dieses Dokument enthält urheberrechtlich geschützte Informationen, die dem Copyright unterliegen. Alle Rechte vorbehalten. Ohne vorherige schriftliche Genehmigung von Mettler-Toledo Thornton Inc. darf kein Teil dieses Dokuments fotokopiert (wenn nicht anders angegeben), vervielfältigt oder in andere Sprachen übersetzt werden.

pureO₃ und ISM sind eingetragene Markenzeichen der METTLER TOLEDO Gruppe in der Schweiz, den USA, der Europäischen Union und weiteren fünf Ländern.

Inhaltsverzeichnis

Einleitung	31
Funktionsübersicht	31
Systemkonfiguration	32
Abbildung 1: Typischer Ozonkreislauf eines Pharmawassersystems	32
Anforderungen an Sensoren	33
System- und Messbetrieb	33
Installation	34
Kalibrierung	37
Nullpunktkalibrierung	37
Steilheits-Prozesskalibrierung	40
Kalibrierdiagnostik	43
Lagerung des Sensors	44
Wartung	45
Reinigung	45
Hinweis auf Servicefähigkeit	45
Elektrolyt- und Membranwechsel	46
Austausch des Innenkörpers	46
Wartungshinweise	47
Tipps zur Fehlersuche	48
Abbildung 2: Aufbau und Abmessungen des Sensors für gelöstes Ozon	49
Abbildung 3: Identifikation der Bauteile des Ozonsensors für Wartungszwecke	50
Technische Daten	51
Ersatzteile	52
Zubehör	53
ISM	54
Umweltschutz	54
Garantie	54

Einleitung

Diese Bedienungsanleitung befasst sich mit Einbau, Betrieb und Wartung von pureO₃[®]-Sensoren von METTLER TOLEDO Thornton zur Messung von gelöstem Ozon.

Der Ozonsensor pureO₃ ist ein Sensor mit kurzer Ansprechzeit und eingebautem digitalen Messkreis sowie Intelligent Sensor Management (ISM[®]) Funktionalität. Der pureO₃-Sensor wurde für die Überwachung von geringen Konzentrationen von gelöstem Ozon in Reinwasserproben in der Mikroelektronik- und Pharmaproduktion sowie bei abgefülltem Trinkwasser und ähnlichen Applikationen konzipiert. Er bietet eine lange Lebensdauer bei minimaler Wartung.

Funktionsübersicht

Der pureO₃-Sensor arbeitet mit einer gaspermeablen Membran zur Trennung der Messprobe von der innen liegenden elektrochemischen Zelle. Ozon diffundiert durch die Membran im direkten Verhältnis zum Partialdruck des Ozons außerhalb des Sensors. Die Kathode und die Anode innerhalb des Sensors werden mit einer elektrischen Spannung polarisiert, um die elektrochemische Reaktion des Ozons zu ermöglichen. Ozon wird an der Kathode reduziert, während gleichzeitig die Anode oxidiert wird, was zur Bildung eines sehr schwachen elektrischen Stroms direkt proportional zum Ozon-Partialdruck führt. Der von den Sensoren erzeugte sehr schwache Strom begünstigt eine lange Standzeit bei niedrigem Wartungsaufwand.

Ein integrierter Temperaturfühler ermöglicht eine Temperaturkompensation und damit eine Anpassung der sich in Abhängigkeit von der Temperatur ändernden Permeabilität der Membran. Das Messgerät verwendet den Temperaturwert, um das Signal des Ozonpartialdrucks in einen Konzentrationswert für das gelöste Ozon umzuwandeln, und zwar durch Kompensation der temperaturabhängigen, wechselnden Löslichkeit des Ozons.

	Bestell-Nr.
pureO₃ Sensor	30 139 305
Gehäuse aus Polycarbonat	58 084 012
Gehäuse aus rostfreiem Stahl	58 084 020
AK9 Kabel, 1 m	59 902 167
AK9 Kabel, 3 m	59 902 193
AK9 Kabel, 5 m	59 902 213
AK9 Kabel, 10 m	59 902 230

Längere Kabel siehe Zubehörliste auf Seite 53

Eine komplette Sensoreinheit für gelöstes Ozon besteht aus:

- Sensor für gelöstes Ozon mit Elektrolyt
- AK9 Kabel für ISM-Transmitter
- Durchflussskammer (entweder aus Polycarbonat oder Edelstahl)

Für ein komplettes Messsystem wird noch ein Transmitter von METTLER TOLEDO Thornton benötigt. Siehe Bedienungsanleitung der Transmitter M800, M300 oder M200.

Systemkonfiguration

Ein Pharmawassersystem weist normalerweise drei Messpunkte für Ozon auf (siehe Abbildung 1 unten):

1. Hinter dem Lagerbehälter mit ozoniertem Wasser.
2. Nach der UV-Lampe, die das Ozon abbaut, um sicherzustellen, dass kein Ozon in den Verteilerkreislauf übertritt.
3. Am Ende des Verteilerkreislaufs, um zu prüfen, dass die erforderlichen Ozonwerte bei der Sanitisierung und ausgeschalteter UV-Lampe im gesamten Verteilerkreislauf erreicht wurden.

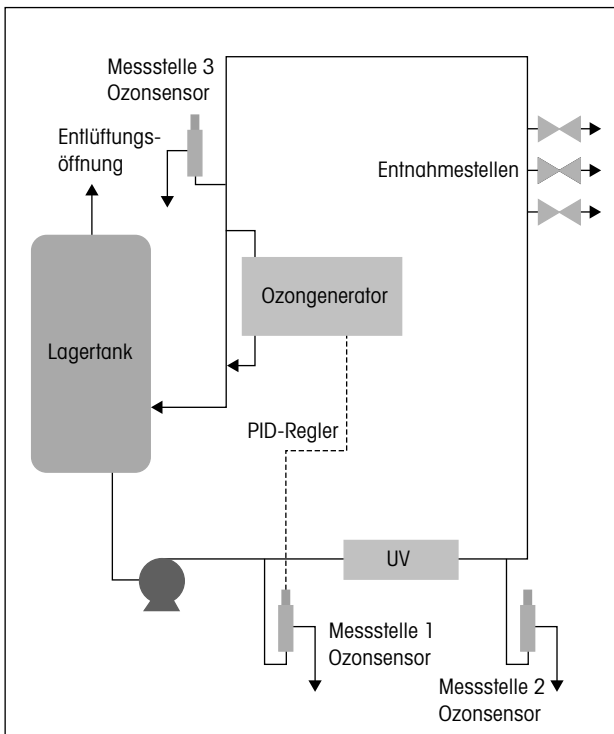


Abbildung 1: Typischer Ozonkreislauf eines Pharmawassersystems

Reinstwassersysteme in der Mikroelektronikindustrie werden normalerweise für die Sanitisierung mit Ozon nicht abgeschaltet und benötigen daher keinen dritten Messpunkt.

Anforderungen an Sensoren

Sensoren für Ozon müssen vor der Erstinbetriebnahme zunächst in ozoniertem Wasser polarisiert werden, bevor sie ein Signal erzeugen. Es dauert einige Zeit, bis sie sich stabilisiert haben. Während der Polarisation können die Messwerte bis zu 45 Minuten bei null bleiben, nachdem Ozon zugegeben wurde. Anschließend steigt das Sensorsignal an, bis es ein stabiles Niveau erreicht, bei dem dann eine Kalibrierung erfolgen kann. Befindet sich ein großer Behälter im Messkreislauf, kann es länger dauern, bis eine stabile Ozonkonzentration angezeigt wird.

Sobald der Sensor polarisiert ist, bleibt er über einen langen Zeitraum verwendbar, auch wenn kein Ozon vorhanden ist. Eine erneute Polarisation ist erst dann notwendig, wenn der Sensor länger als zehn Minuten ohne Stromversorgung vom Transmitter war, oder der Elektrolyt oder die Membran ausgetauscht wurden.

System- und Messbetrieb

Eine Polarisation der Sensoren an den Messpunkten 2 und 3 (siehe Abbildung 1 auf Seite 32) kann Schwierigkeiten bereiten, denn an diesen Punkten ist die Ozonkonzentration im Normalbetrieb sehr niedrig. Daher empfiehlt sich die Inbetriebnahme des pureO₃ während einer Ozon-Sanitisierung des Systems die lange genug dauert, um eine vollständig Polarisation des Sensors zu erreichen.

Sind die Durchflussskammern mit den Sensoren nebeneinander installiert, bietet es sich an, die Sensoren von Punkt 2 und 3 jeweils nacheinander in die Durchflussskammer von Punkt 1 einzubauen. Die elektrischen Anschlüsse des Sensors dürfen dabei keinesfalls getrennt werden. Mit diesem Verfahren können Sensoren während des Normalbetriebs in ozoniertem Wasser polarisiert werden.

Installation

Der Sensor sollte geschützt unter einer Abdeckung im Innenbereich bei einer angemessenen stabilen und gleichmäßigen Temperatur und ausreichendem Abstand zu Wärmequellen, wie z. B. Dampfleitungen, installiert werden.

Wir empfehlen, dass die Messprobenleitungen entweder aus rostfreiem Stahl oder einem ozonbeständigen Polymer bestehen sollten. Auch sollten die Leitungen so kurz wie möglich sein, um die Zeitverzögerung zwischen Probenentnahme und Messung zu minimieren und somit dem Zerfall des Ozons vorzubeugen. Es wird empfohlen, den Sensor und die Probenleitungen für die Kalibrierung an einer gut zugänglichen Stelle einzubauen.

Vorsicht: Vor der Installation ist die Membran mit der Elektrolytlösung am Sensor zu montieren. Nach einer Trockenlagerung von mehr als zwei Tagen ist der Membrankörper mit deionisiertem Wasser zu spülen und die Elektrolytlösung im Sensor zu ersetzen, um das Ansprechverhalten und die Stabilität der Messung in vollem Masse nutzen zu können.

Eine einwandfreie Funktion des Sensors ist nur garantiert, wenn er in einer Durchflussskammer von METTLER TOLEDO Thornton installiert ist.

Die Durchflussrate muss zwischen 200 und 500 ml/min liegen.

1. Die Durchflussskammer mit Hilfe der Befestigungslöcher und anderer Befestigungselemente, die für die Montageplatte passend sind, installieren. Die Durchflussskammer unterhalb oder seitlich des Transmitters oder sonstiger elektronischer Geräte positionieren, um eventuelle Wasserschäden zu vermeiden. Genügend Platz oberhalb des Sensors frei lassen, um diesen für die Kalibrierung bequem ausbauen zu können.
2. Probenzufuhrleitung mit einer hohen Durchflussgeschwindigkeit durchspülen, um vor dem Anschließen der Durchflussskammer eventuelle Fremdkörper aus der Leitung zu entfernen.
3. Passende Fittings mit Rohrdichtungsmittel an den 1/4" NPT(F) (0,635 cm) Einlass- bzw. Auslassstutzen der Durchflussskammer anschrauben.

Vorsicht: Verbindungen nur um eine Umdrehung fester als handfest anschrauben. Nicht übermäßig stark anziehen, da ansonsten die kegelförmigen Rohrgewinde der Durchflussskammer beschädigt werden können.

4. Probenzufuhrleitung sowie Probenableitung an die Verbindungsgarnituren anschließen. **Der Stutzen unten ist der Einlass.**

Vorsicht: Bei Verwendung des Kunststoffgehäuses immer einen Gegenschlüssel beim Anschließen der Probenzufuhrleitung an eine Klemmringverschraubung ansetzen, damit das Rohrgewinde nicht übermäßig stark in die Durchflusskammer eingeschraubt wird und dadurch die Gewinde beschädigt werden.

5. AK9 Kabel am Ozonsensor anschließen. Das andere Ende des Kabels an den entsprechenden Kanal des M800 oder eines anderen kompatiblen METTLER TOLEDO Transmitters anschließen. Siehe dazu die Anweisungen in der Bedienungsanleitung des Transmitters.
6. **Vor einem weiteren Vorgehen stellen Sie sicher, dass die Elektrolytlösung dem Sensor hinzugefügt wurde.**
7. **Grüne Schutzkappe entfernen und Sensor in Durchflusskammer installieren.** Probendurchflussrate auf 200–500 ml/min. einstellen. Schutzkappe für spätere Verwendung, falls der Sensor von der Durchflusskammer entfernt wird, aufbewahren.
8. Mit dem im Transmitter M800 programmierten Polarisationsverfahren polarisieren Sie den Sensor in Wasser mit einer Ozonkonzentration von >50 ppb, um ihn zu aktivieren. Das Verfahren versorgt den Sensor über einen Zeitraum von elf Minuten wiederholt mit Spannung, was für eine rasche Polarisation des Sensors sorgt. Zur Verdeutlichung hier die Menüanzeigen des M800 (In dieser Bedienungsanleitung dient der Transmitter M800 von METTLER TOLEDO Thornton als Beispiel. Zu anderen Transmittern siehe entsprechende Bedienungsanleitung.)



Der Bildschirm erscheint, wenn ein Sensor angeschlossen ist.



Der M800 berechnet die Polarisationsdauer. Drücken Sie **Enter**, um im Menü vorwärts zu gehen.



Der M800 zählt die Zeit für das Polarisationsverfahren automatisch herunter.

9. Nach mindestens 6 Stunden Strombetrieb in eine Probe mit einer Ozonkonzentration von >50 ppb zur Stabilisierung der Messung führen Sie eine Vergleichskalibrierung und eine Nullpunktkalibrierung durch, wie nachstehend beschrieben.

Kalibrierung

Bei der Kalibrierung des Sensors werden neue Kalibrierkonstanten für den Sensor berechnet (Nullstrom und Steilheit). Der Nullstrom liegt üblicherweise im Bereich von ± 1 nA. Die Steilheit liegt üblicherweise im Bereich zwischen $-0,05$ nA/ppb und $-0,35$ nA/ppb Ozon.

Die Kalibrierdaten für einen Sensor, der in Verbindung mit den Transmittern M300/M800 verwendet wird, werden in einem Permanent Speicher abgelegt und können jeweils unter dem Menü ISM/Justierdaten für den entsprechenden Kanal eingesehen werden.

Die Kalibrierdaten für einen Sensor, der mit dem Transmitter M200 verwendet wird, können im Modus INFO\Justierdaten aufgerufen werden.

Für die meisten Anwendungen liefern ozonfreie Luft oder ozonfreies Wasser die verlässlichsten Standards für die Nullstromkalibrierung.

Hinweis: Um die vollständige Polarisierung und einen korrekten Betrieb des Sensors zu erreichen, ist der Sensor an einen eingeschalteten Transmitter anzuschließen und in eine Probe einzutauchen, die eine Ozonkonzentration von mindestens >50 ppb aufweist. Die erforderliche Messgenauigkeit erreicht der Sensor erst, wenn er für mindestens 6 Stunden in der Probe eingetaucht ist, bevor eine Kalibrierung oder Messung durchgeführt wird. Um optimale Resultate zu erzielen, empfiehlt sich eine erneute Kalibrierung (Steilheitsanpassung) nach 24 Stunden Betriebsdauer.

Zu Vorgehensweisen bei Polarisierung und Kalibrierung von Sensoren in Umgebungen, in denen normalerweise kein Ozon vorhanden ist, siehe den Anhang zu dieser Bedienungsanleitung.

Nullpunktkalibrierung

Eine Nullstromkalibrierung muss jeweils beim Anfahren, danach aber lediglich sporadisch durchgeführt werden, da sich der Wert normalerweise nur wenig verändert. Eine Nullpunktkalibrierung ändert den werksseitig eingestellten Nullstrom.

1. Die HOLD-Funktion des Transmitters wird entsprechend der Benutzereinstellungen automatisch aktiviert. Siehe dazu die Anweisungen in der Bedienungsanleitung des Transmitters zur Programmierung der HOLD-Einstellungen.
2. Den Zufluss zur Durchflusskammer unterbrechen. Den Sensor entfernen, wobei er elektrisch angeschlossen bleibt, und in der Umgebungsluft aufhängen (sicherstellen, dass alle Flüssigkeit, die möglicherweise Ozon enthält, abgespült ist und die Sensormembran mit einem kleinen fusselfreien Tuch trocknen).
3. Warten, bis die Anzeige für den Ozonwert stabil ist, was normalerweise nach 15 Minuten der Fall sein

sollte. Der Transmitter muss vor Beginn der Kalibrierung einen stabilen Messwert von weniger als 1 ppb anzeigen.

4. Gehen Sie Schritt für Schritt durch das CALIBRATION-Menü des Transmitters. Führen Sie eine Einpunkt-Nullkalibrierung durch. Hier wird das Menü des M800 dargestellt. Zu anderen Transmittern siehe entsprechende Bedienungsanleitung.



- a. Rufen Sie das **Menü Calibration (Kalibrierung)** auf.



- b. Wählen Sie **Sensor eichen**.



- c. Wählen Sie **channel (Kanal)** und **units (Einheiten)**. Wählen Sie unter Methode **1-Point (1-Punkt)**. Drücken Sie **Cal**.



- d. Tauchen Sie den Sensor in ozonfreies Medium. Drücken Sie **Weiter**.



- e. Drücken Sie **Next (Weiter)**, um den Nullpunkt zu kalibrieren.



- f. Drücken Sie **Adjust (Justieren)**, um die Kalibrierung zu übernehmen.



- g. Drücken Sie **Done (Fertig)** und kehren Sie in den Messmodus zurück.
5. Wenn der Vorgang abgeschlossen ist, den Sensor wieder in die Durchflusskammer einbauen.
 6. Probenzufuhr wiederholt ein- und ausschalten, um eingeschlossene Luftblasen zu entfernen. Durchflussrate wieder auf 200–500 ml/min einstellen.
 7. Sobald der Messwert zum Normalwert zurückgefunden und sich stabilisiert hat, deaktivieren Sie am Transmitter die HOLD-Funktion oder warten die Ablaufzeit ab. Siehe Anweisungen in der Bedienungsanleitung des Transmitters.

Steilheits-Prozesskalibrierung

Das Ausgangssignal des Ozonsensors wird über die Zeit leicht variieren, da Elektrolyt, Membran und Elektrode allmählich altern. Regelmäßige Kalibrierung mit einer Referenzmessung ist in bestimmten Intervallen erforderlich, basierend auf Erfahrungen aus der einschlägigen Applikation. Die Kalibrierung der Steilheit empfiehlt sich alle sechs Monate. Der Kalibrierzyklus lässt sich entsprechend der Anwendung und den Anforderungen an die Genauigkeit anpassen. Zum Vergleich wird eine Steilheitskalibrierung parallel zu einer Referenzmessung in einer stabilen ozonisierten Probe durchgeführt. Verwenden Sie den Wert eines anderen Ozon-Referenzsystems, mit dem Sie dieselbe Wasserprobe gemessen haben.

Kolorimetermessungen gelten als anerkannte Methode zur Ozonmessung. Die Genauigkeit der Kolorimeter ist zwar begrenzt, bei größeren Konzentrationen jedoch genauer. Daher empfiehlt sich die Kalibrierung der Steilheit möglichst während einer Sanitisierung bei hohen und stabilen Ozongehalten von > 200 ppb. Eine Kalibrierung der Steilheit darf nicht an Punkten erfolgen, an denen das Ozon durch UV-Licht entfernt wurde.

Aufgrund des schnellen Zerfalls von Ozon in Proben und der begrenzten Wiederholbarkeit der kolorimetrischen Methode hat es sich bewährt, mindestens drei Kolorimetermessungen durchzuführen, um konsistente Messwerte zu erhalten und bei zu großer Abweichung zwischen den ersten drei Werten noch einen vierten Messwert zu ermitteln. Zum Kalibrieren wird der Mittelwert zweier Messwerte verwendet, die möglichst wenig voneinander abweichen sollten (z. B. untereinander weniger als 10 ppb).

Proben für das Kolorimeter müssen von derselben Messstelle entnommen werden und sind ohne Zeitverzögerung zu messen, um fehlerhafte Messwerte aufgrund des raschen natürlichen Zerfalls von Ozon zu unterbinden. Eine Kalibrierung der Steilheit ändert den für die Steilheit gespeicherten Wert. Höchste Messgenauigkeit erhalten Sie, wenn Sie die Probe bei normaler Prozesstemperatur kalibrieren.

1. Der Transmitter und der Sensor müssen mindestens 6 Stunden in einer Probe mit einem Ozongehalt von >50 ppb betrieben werden. Bitte beachten Sie, dass für eine genaue Kalibrierung der Ozongehalt mindestens 200 ppb betragen muss.
2. Sobald ein stabiler Ozonisierungsgrad und Anzeigewert erreicht wurden, notieren Sie den Wert des Online-Sensors.
3. Gehen Sie Schritt für Schritt durch das CALIBRATION-Menü des Transmitters, um eine Kalibrierung der Steilheit durchzuführen.



- a. Rufen Sie das Menü **Calibration (Kalibrierung)** auf.



- b. Wählen Sie **Sensor eichen**.



- c. Wählen Sie **channel (Kanal)** und **units (Einheiten)**.
Wählen Sie unter Methode **Process (Prozess)** und **Slope**.



- d. Drücken Sie **Enter**, sobald der Messwert stabil ist, um den Ozonwert zu speichern.



- e. Kehren Sie zurück zum **Menü Calibration (Kalibrierung)**.



- f. Geben Sie die Ozonkonzentration der Referenz ein. Drücken Sie **Next (Weiter)**, um die Steilheit zu kalibrieren.



- g. Drücken Sie **Adjust (Justieren)**, um die Kalibrierung zu übernehmen.



- h. Drücken Sie **Done (Fertig)** und kehren Sie in den Messmodus zurück.

Messpunkte unmittelbar vor und nach der UV-Einheit liegen üblicherweise sehr nahe beieinander und sollten daher bei abgeschalteter UV-Einheit dieselben Messwerte anzeigen. Daher kann ein Messpunkt mit dem Ergebnis der kolorimetrischen Messung kalibriert und der zweite anschließend mit dem ersten Messpunkt abgeglichen werden. Am Ende des Verteilerkreises muss eine separate kolorimetrische Messung vorgenommen werden, denn aufgrund des normalen Zerfalls des Ozons kommt es hier zu einer deutlichen Abnahme der Ozonkonzentration.

Kalibrierdiagnostik

Der Nullstromwert wird bei jeder Nullpunktkalibrierung neu berechnet. Der Wert wird in Nanoampere angezeigt und beträgt bei einem funktionierenden Sensor in der Regel ± 1 nA.

Die Steilheit wird bei jeder Steilheitskalibrierung neu berechnet und liegt bei einem funktionierenden Sensor in der Regel zwischen $-0,05$ und $-0,35$ nA/ppb Ozon. Die nachstehende Tabelle enthält eine Zusammenfassung von Kalibrierdaten, Bezeichnungen und Anzeigebereichen. Die Werte für Steilheit werden mit negativer Polarität angezeigt (-).

Nullkalibrierung (Luft) Kalibrierung	Steilheit Kalibrierung
Nullstrom: ± 1 nA	Steilheit: $-0,05$ bis $-0,35$ nA /ppb Ozon

Tendieren die Werte für Steilheit nach mehreren Kalibrierungen in eine bestimmte Richtung, kann dies ein Hinweis darauf sein, dass der Sensor driftet und der Elektrolyt ausgetauscht werden muss (und evtl. die Membran). Schwankende Werte für Steilheit können ein Zeichen für Beeinträchtigungen der Wiederholbarkeit der Referenzmessung sein.

Lagerung des Sensors

Sensor bei Raumtemperatur mit der Spitze in Wasser eingetaucht aufbewahren. Bei einer Trockenlagerung für länger als zwei Tage zuerst die Elektrolytlösung entfernen und dann die inneren Bestandteile mit deionisiertem Wasser spülen. Die getrocknete Membran vom Sensor demontiert lagern. Der Elektrolyt ist dann abzulassen und muss beim Wiederausammenbau des Sensors erneuert werden, bevor dieser in Prozesswasser gelangt.

Wartung

Reinigung

Im Rahmen der für diesen Sensor typischen Reinwasserapplikationen sollte eine Reinigung nicht unbedingt notwendig sein. Eventuelle Ablagerungen von Feststoffen auf der Membranoberfläche oder in der Durchflusskammer abspülen oder mit einem geeigneten Reinigungsmittel sorgfältig entfernen. Falls eine physische Reinigung erforderlich ist, ein fusselfreies Tuch oder Papiertuch verwenden.

Achtung: Beim Einsatz von Reinigungsmitteln beachten Sie bitte die allgemein gültigen Vorsichtsmassnahmen.

Hinweis auf Servicefähigkeit

Der Elektrolyt muss nicht regelmäßig ausgetauscht werden, der Elektrolyt des pureO₃-Sensors ist optimiert für Langzeitmessungen (sechs Monate bei 200 ppb Ozon).

Membrankörper und Elektrolyt müssen ausgetauscht werden, wenn bei einer Sichtprüfung Anzeichen einer mechanischen Beschädigung vorliegen. Sie müssen auch dann ersetzt werden, wenn die Ansprechzeit des Sensors zunehmend schneller oder langsamer wird. Dies äußert sich durch eine Tendenz der Werte für Steilheit, nach mehreren Vergleichskalibrierungen in eine bestimmte Richtung zu wandern. Dies kann auch ein Hinweis darauf sein, dass der Sensor nicht kalibriert werden kann.

Der Innenkörper des Sensors oder sogar der komplette Sensor selbst muss ersetzt werden, wenn bei einer Sichtprüfung das Glas des Innenkörpers einen Riss aufweist, oder beim Sensor ein Kriechstrom festgestellt wird (bei entferntem Elektrolyten und Membrankörper und vorsichtig getrocknetem Innenkörper sollte bei einer Messung der angezeigte Wert Null sein).

Nach längerem Gebrauch kann die Anode (Mittelstück des Innenkörpers) des Sensors an ihrer Oberfläche unterschiedliche Grüntöne annehmen. Das ist vollkommen normal und hat keinerlei Einfluss auf die Leistungsfähigkeit des Sensors.

Warnung: Vermeiden Sie den Kontakt des Elektrolyten mit der Haut, insbesondere mit den Schleimhäuten und den Augen. Tragen Sie deshalb für die hier beschriebenen Austauscharbeiten immer Schutzhandschuhe und eine Schutzbrille. Sollten Sie trotzdem mit dem Elektrolyten in Berührung kommen, spülen Sie den betroffenen Körperteil mit viel Wasser ab. Bei Unwohlsein einen Arzt hinzuziehen. Mehr Informationen finden Sie im Sicherheitsdatenblatt (SDS) des Elektrolyten.

Elektrolyt-und Membranwechsel

Sensor nur im Reinraumbereich auseinanderbauen. Für die Identifikation der Bauteile siehe Abbildung 3 auf Seite 50.

1. Schaffhülse vom Sensorschaft abschrauben und vorsichtig vom Sensor ziehen.
2. Membrankörper mit der flachen Seite der Fingerspitzen vom Ende her aus der Schaffhülse herausdrücken. (Vor einem Elektrolytwechsel muss der Membrankörper aus der Schaffhülse entfernt werden.)
3. Den Innenkörper mit entionisiertem Wasser abspülen und sorgfältig mit einem Papiertuch trocknen.
4. Alle O-Ringe visuell auf mechanische Beschädigung prüfen und falls nötig ersetzen.
5. Innenkörper (Anode, Schutz und Kathode) mit pureO₃-Elektrolyt spülen (Bestell-Nr. 30 135 837).
6. Den neuen Membrankörper bis zur Hälfte mit pureO₃-Elektrolyt füllen.

Wichtig: Darauf achten, dass der Elektrolyt im Membrankörper luftblasenfrei ist. Luftblasen durch Klopfen auf die Seiten des gefüllten Membrankörpers entfernen.

7. Den Membrankörper in senkrechter Position auf den Innenkörper schieben. Überschüssiger Elektrolyt wird verdrängt und ist mit einem Papiertuch zu entfernen.

Hinweis: Zwischen Membrankörper und Schaffhülse dürfen sich weder Elektrolyt noch Messmedium oder andere Verunreinigungen befinden. Bitte genau überprüfen, dass beide Teile sauber und trocken sind.

8. Den Sensor in senkrechter Position halten und die Schaffhülse vorsichtig über den montierten Membrankörper schieben und festschrauben.
9. Nach einem Austausch des Elektrolyten oder des Membrankörpers ist der Sensor in Gegenwart von Ozon neu zu polarisieren und anschließend zu kalibrieren (Polarisationsverfahren des Transmitters verwenden).

Austausch des Innenkörpers

Sensor nur im Reinraumbereich auseinanderbauen. Für die Identifikation der Bauteile siehe Abbildung 3 auf Seite 50.

1. Schaffhülse vom Sensorschaft abschrauben und vorsichtig vom Sensor ziehen.
2. Membrankörper mit der flachen Seite der Fingerspitzen vom Ende her aus der Schaffhülse herausdrücken. Vor einem Elektrolytwechsel muss der Membrankörper aus der Schaffhülse entfernt werden.

3. Kontermutter mit einem Rollgabelschlüssel oder Gabelschlüssel 9,5 mm ($\frac{3}{8}$ ") lösen und abnehmen.
4. Innenkörper aus dem Sensorschaft ziehen. Falls nötig, Zange verwenden.

Achtung: Innenkörper beim Herausziehen nicht drehen, sonst können die Anschlussstifte abbrechen.

5. Neuen Innenkörper in den Sensorschaft einsetzen. Innenkörper soweit im Schaft drehen, bis die Nut im Innenkörper im Nocken des Sensorschaftes einrastet.
6. Innenkörper bis zum Anschlag in den Sensorschaft hineindrücken. Anschließend neue Kontermutter anbringen und festziehen.
7. Weiter mit Schritt 4 im Abschnitt **Elektrolyt- und Membranwechsel**.

Wartungshinweise

Sensoren, die kontinuierlich Ozon ausgesetzt sind, müssen normalerweise häufiger gewartet werden.

Ein Austausch des Elektrolyten kündigt sich dadurch an, dass die Messwerte für Ozon eine fallende Tendenz zeigen, wie im Kapitel Service beschrieben. Basiert die automatische PID-Regelung auf den Messungen von Punkt 1, wird der Prozessregler den Ozonisierungsgrad erhöhen, um den Messwert am Sollwert zu halten. (Siehe Abbildung 1) Die Symptome sind dann ein steigender Ozonisierungsgrad und Kolorimetermessungen, die zunehmend die Online-messwerte übersteigen.

Nachdem mit einem bestimmten Ozonisierungssystem genug Erfahrungen gesammelt wurden, kann für die Wartung der Sensoren ein Wartungsplan aufgestellt werden. Prozessunterbrechungen sind dann nur noch selten erforderlich.

Tipps zur Fehlersuche

Nullstrom instabil oder außerhalb des Bereichs:

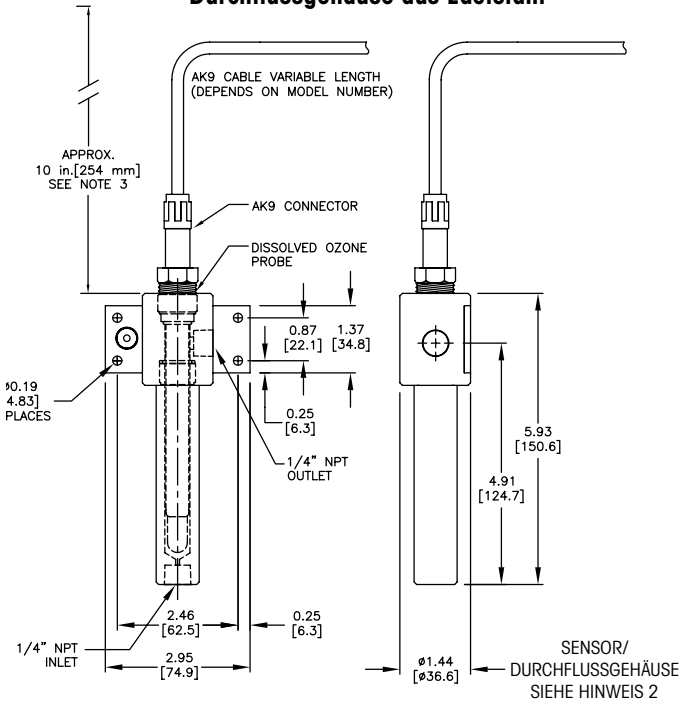
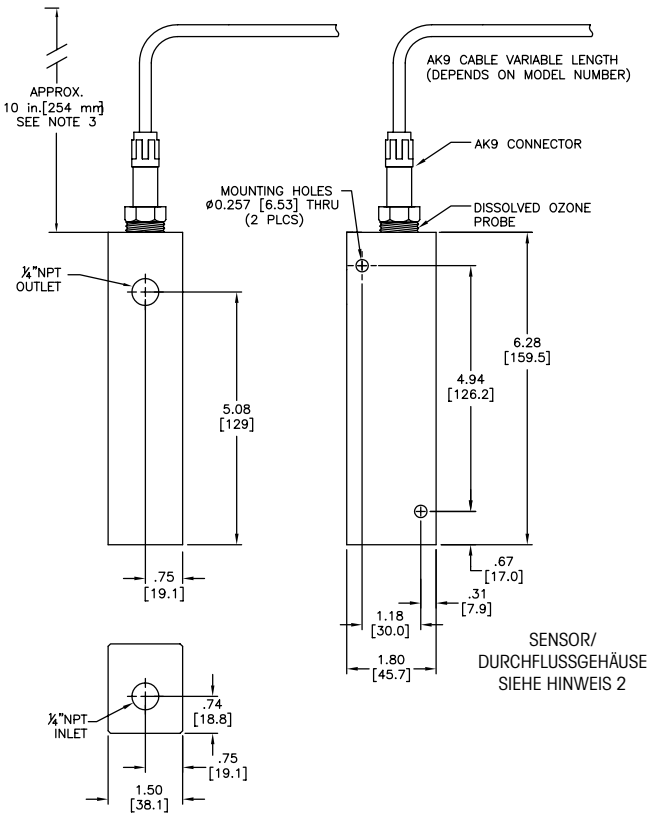
- Wasser auf Membran
 - Prüfen, ob die Membranoberfläche trocken ist
- Blasen im Elektrolyt
 - Membrankörper entfernen, prüfen, ob Blasen im Elektrolyt eingeschlossen sind
- Elektrolyt verbraucht
 - Elektrolyt austauschen, Sensor wieder zusammenbauen und neu kalibrieren
- Membran abgelaufen
 - Membran und Elektrolyt austauschen, Sensor wieder zusammenbauen und neu kalibrieren
- Innenkörper abgelaufen
 - Innenkörper des Sensors, Membran und Elektrolyt austauschen, Sensor wieder zusammenbauen und neu kalibrieren

Steilheit ist zu niedrig:

- Kathode verunreinigt (z. B. Öle von der Haut)
 - Kathode vorsichtig mit warmer Seifenlauge reinigen
 - Kathode nach der Reinigung mit reichlich deionisiertem Wasser sorgfältig abspülen
- Elektrolyt verbraucht
 - Elektrolyt austauschen, Sensor wieder zusammenbauen und neu kalibrieren

Steilheit ist zu hoch:

- Membran abgelaufen
 - Membran und Elektrolyt austauschen, Sensor wieder zusammenbauen und neu kalibrieren

Durchflussgehäuse aus Edelstahl**Durchflussgehäuse aus Polycarbonat****Anmerkungen:**

1. Angaben in Klammern sind Millimeter.
2. Montage von Sensor/Durchflussgehäuse muss in senkrechter Position erfolgen (siehe Abb.)
3. Für die Sensorentnahme ist ein Abstand von ca. 254 mm einzuplanen.

Abbildung 2: Aufbau und Abmessungen des Sensors für gelöstes Ozon

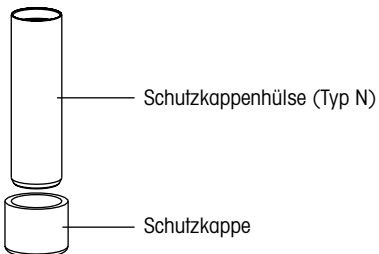
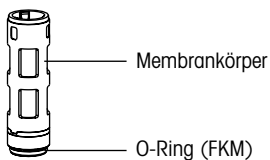
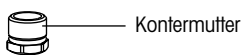
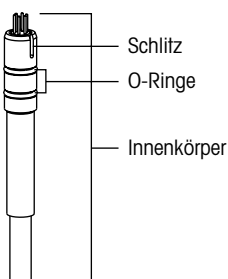
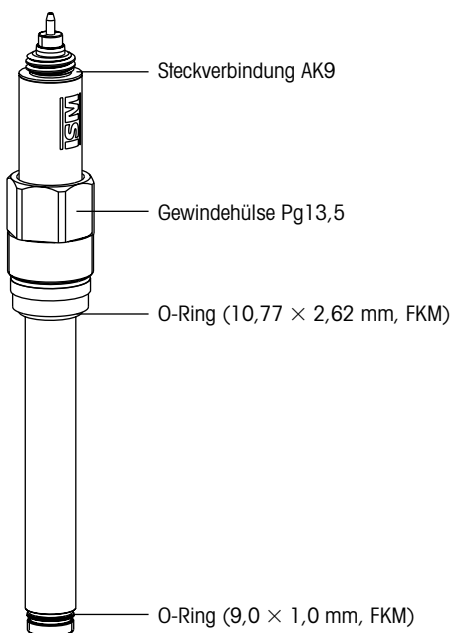


Abbildung 3: Identifikation der Bauteile des Ozonsensors für Wartungszwecke

Technische Daten

Durchflussrate	200 bis 500 ml/min in der Durchflusskammer, 0,15 bis 1 m/s ohne Durchflusskammer
Probentemperatur	5 – 50 °C für Kompensation, zulässig bis 100 °C
Probendruck	Messwert: 0,8-3 bar (0 – 45 psig)
Probenanschlüsse	1/4" (0,635 cm) NPT(F)
Mediumberührte Teile	Durchflusskammer Poly-carbonat oder Edelstahl 316L, Sensor Edelstahl 316L/1.4404, Membran Silikongummi, O-Ringe FKM
Kabellängen	1 – 80 m (s. Tabelle S. 53)
Gewicht	227 g
Relative Systemgenauigkeit*	± 1 % des angezeigten Wertes oder 1 ppb, je nachdem welcher Wert größer ist
Nachweisgrenze	± 1 % des angezeigten Wertes oder 0,4 ppb, je nachdem welcher Wert größer ist
Temperaturgenauigkeit	± 0.5 °C
Ansprechzeit	45 Sekunden für 90 % Rückmeldung
Typische Polarisationszeiten	6 Stunden bei >50 ppb (bei Verwendung des Polarisationsverfahrens im entsprechenden Transmitter)
Messbereich	0 – 5.000 ppb, 0 – 5,00 ppm kurzzeitig; 0 – 500 ppb, 0 – 0,5 ppm kontinuierlich
Firmwareversion	M800 Version 1.5.01 oder höher M300 Version 1.0.01 oder höher M200 Version 2.2.00 oder höher

* Die Systemgenauigkeit richtet sich nach der Genauigkeit des Referenzsystems, mit dem die Kalibrierung erfolgte

Ersatzteile

	Bestell-Nr.
pureO ₃ Ersatzsensor (Standard, 120 mm lang)	30 139 305
pureO ₃ Membran-Kit mit Elektrolyt, vier Membranen und O-Ringen	30 235 170
Innenkörper für pureO ₃ Sensor	30 236 790
pureO ₃ Elektrolyt, 25 ml	30 135 837
Ersatz-Durchflussskammer PC	58 084 012
Ersatz-Durchflussskammer SS	58 084 020

Zubehör

Ersatzkabel AK9 für Transmitter mit ISM	Bestell-Nr.
1 m	59 902 167
3 m	59 902 193
5 m	59 902 213
10 m	59 902 230
20 m	52 300 204
30 m	52 300 393
50 m	52 300 394
80 m	52 300 395

ISM

Intelligent Sensor Management Funktionen liefern folgende Informationen zur vorausschauenden Wartung auf dem Display eines M800 oder M300 Transmitters:

Vollständige Sensoridentifikation

- Sensortyp
- Seriennummer
- Kalibrierhistorie
- Aktuelle Kalibrierung
- Werkskalibrierung
- Die letzten drei Kalibrierungen

Vorausschauende Diagnoseinformationen

- **ACT** (Adaptive Calibration Timer)
 - Adaptiver Kalibriertimer: Anzeige der verbleibenden Zeit bis zur nächsten empfohlenen Kalibrierung auf Basis von Ozonkonzentration und Ozonexposition.
- **TTM** (Time To Maintenance, für Elektrolyt und Membrankörper)
 - Die verbleibende Zeit, bis der Elektrolyt und die Membran ausgetauscht werden müssen auf Basis von Ozonkonzentration und Ozonexposition.
- **DLI** (Dynamic Lifetime Indicator, für Innenkörper)
 - Berücksichtigt die Ozonkonzentration zur Voraussage der verbleibenden Zeit, bis der Innenkörper ausgetauscht werden muss.
- **SAN** Sanitisierungszähler
 - Der Grenzwert der Ozonkonzentration und die Dauer eines Sanitisierungszyklus lassen sich am Transmitter voreinstellen.
 - Sanitisierungszyklen werden bei den Berechnungen von DLI / ACT / TTM nicht berücksichtigt.

Umweltschutz

Elektroaltgeräte dürfen nicht zusammen mit dem Hausmüll entsorgt werden. Bitte führen Sie diese möglichst Einrichtungen zur Wiederverwertung zu. Wenden Sie sich an Ihre zuständige Behörde oder Ihren Fachhändler, um Hinweise zur Wiederverwertung zu erhalten.



Garantie

Bei Herstellungsfehlern wird eine Garantie von 12 Monaten ab dem Produktionsdatum gewährleistet.

Indications importantes de sécurité

Ce manuel comporte des informations de sécurité et des informations importantes signalées dans le texte de la manière suivante :

Avertissement : **Risque potentiel de blessures corporelles.**

Attention : **Indique une possibilité d'endommagement ou de mauvais fonctionnement du produit.**

Remarque : Informations importantes relatives au fonctionnement.

Une fiche technique de sécurité est fournie avec le flacon de 25 ml d'électrolyte O₃ accompagnant la sonde d'ozone dissous et les kits de maintenance. L'électrolyte O₃ contient des borates et ne doit pas être utilisé par les femmes enceintes. Conserver une copie de cette fiche dans un dossier de fiches de sécurité.

Ce document contient des informations confidentielles protégées par des droits d'auteur. Tous droits réservés. Aucune partie de ce document ne peut être photocopiée (sauf indication spécifique contraire), reproduite ou traduite dans une autre langue sans l'accord écrit préalable de Mettler-Toledo Thornton, Inc.

pureO₃ et ISM sont des marques déposées du Groupe METTLER TOLEDO en Suisse, aux États Unis, au sein de l'Union européenne et dans cinq autres pays.

Sommaire

Introduction	59
Description générale du fonctionnement	59
Configuration système	60
Figure 1 : Boucle d'ozone pharmaceutique typique	60
Conditions requises pour les sondes	61
Fonctionnement du système et des mesures	61
Installation	62
Étalonnage	65
Procédure d'étalonnage du zéro	65
Procédure d'étalonnage procédé de la pente	68
Diagnostic d'étalonnage	71
Stockage de la sonde	72
Maintenance	73
Nettoyage	73
Indications de maintenance	73
Remplacement de la membrane et de l'électrolyte	73
Remplacement de l'élément sensible	74
Conseils de maintenance	75
Conseils de dépannage	75
Figure 2 : Montage et dimensions des sondes d'ozone dissous	77
Figure 3 : Identification des composants de la sonde d'ozone pour les besoins de maintenance	78
Caractéristiques techniques	79
Pièces de rechange	80
Accessoires	81
ISM	82
Protection de l'environnement	82
Garantie	82

Introduction

Le présent manuel expose les procédures d'installation, d'utilisation et de maintenance des sondes d'ozone dissous pureO₃[®] de METTLER TOLEDO Thornton.

La sonde à ozone pureO₃, à réponse rapide, est dotée d'un circuit de mesure numérique et de fonctionnalités Intelligent Sensor Management (ISM[®]) intégrés. La sonde pureO₃ a été conçue pour le contrôle de faibles concentrations d'ozone dissous dans des échantillons d'eau pure issus de procédés pharmaceutiques, de la fabrication de composants microélectroniques et de la mise d'eau en bouteille ainsi que d'applications similaires.

Description générale du fonctionnement

La sonde pureO₃ utilise une membrane perméable aux gaz pour séparer l'échantillon de la cellule électrochimique interne. L'ozone se diffuse à travers la membrane de manière directement proportionnelle à la pression partielle d'ozone à l'extérieur de la sonde. La cathode et l'anode de l'élément sensible de la sonde sont polarisées à une tension définie pour permettre une réaction électrochimique de l'ozone. L'ozone est réduit au niveau de la cathode durant l'oxydation de l'anode, ce qui produit un courant directement proportionnel à la quantité d'ozone présent. Le très faible courant mis en œuvre par ces sondes leur permet d'avoir une durée de vie importante tout en nécessitant une maintenance réduite.

Une sonde de température intégrée permet de compenser la température afin de corriger la variation de perméabilité de la membrane liée à la température. Par ailleurs, l'instrument utilise la valeur de température pour convertir le signal de pression partielle d'ozone en une valeur de concentration d'ozone dissous, en compensant la variation de la solubilité de l'ozone liée à la température.

	Référence
Sonde pureO₃	30 139 305
Support en polycarbonate	58 084 012
Support en acier inoxydable	58 084 020
Câble AK9, 1 m	59 902 167
Câble AK 9, 3 m	59 902 193
Câble AK9, 5 m	59 902 213
Câble AK9, 10 m	59 902 230

Des câbles plus longs sont répertoriés avec les Accessoires à la page 81

Une sonde d'ozone dissous complète est constituée des éléments suivants :

- Sonde d'ozone dissous avec électrolyte
- Câble AK9 pour transmetteurs ISM
- Support à circulation (en polycarbonate ou en acier inoxydable)

Pour bénéficier d'un système de mesure complet, il est nécessaire d'installer un transmetteur METTLER TOLEDO Thornton. Voir le manuel du transmetteur M800, M300 ou M200.

Configuration système

Un système d'ozonation basé sur une eau à usage pharmaceutique (voir figure 1 ci-dessous) utilise généralement trois points de mesure de l'ozone :

1. Après le la cuve de stockage de l'eau ozonée.
2. Après la lampe UV de destruction d'ozone pour confirmer l'absence d'ozone vers la boucle de distribution.
3. À la fin de la boucle de distribution d'eau, pour vérifier que les niveaux appropriés d'ozone ont atteint l'intégralité de la boucle de distribution au cours de l'assainissement lorsque la lampe UV de destruction d'ozone est éteinte.

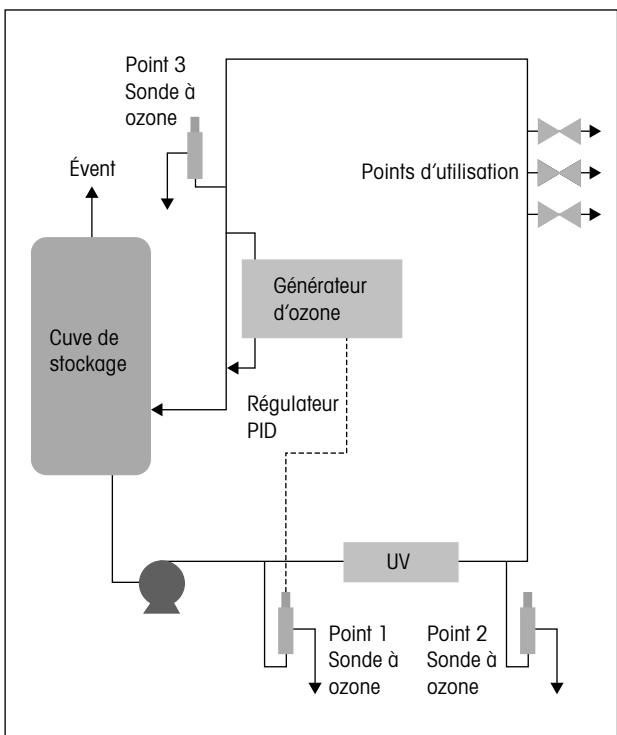


Figure 1 : Boucle d'ozone pharmaceutique typique

Un système de production d'eau ultrapure (UPW) pour composants microélectroniques ne se ferme généralement pas pour la sanitation et omet le troisième point de mesure.

Conditions requises pour les sondes

Lors de leur première mise en service, les sondes d'ozone nécessitent une période de polarisation en présence d'eau ozonée avant de pouvoir émettre un signal. Elles ont besoin de plus de temps pour atteindre une bonne stabilité. Au cours de la polarisation, les résultats peuvent rester sur zéro pendant 45 minutes après la première introduction d'ozone. Ensuite, le signal de la sonde augmente jusqu'à atteindre un niveau de réponse régulier auquel l'étalonnage peut être effectué. Si une cuve de stockage grand volume se trouve dans la boucle de recyclage, un laps de temps supplémentaire peut être nécessaire pour que sa concentration en ozone se stabilise.

Une fois les sondes polarisées, cette condition est maintenue sur de longues périodes même en l'absence d'ozone. Une repolarisation est requise uniquement si la sonde n'est pas alimentée par le transmetteur pendant plus de dix minutes ou si l'électrolyte ou la membrane est remplacé(e).

Fonctionnement du système et des mesures

La polarisation des sondes aux points de mesure 2 et 3 (voir figure 1 à la page 60) ci-dessus peut être difficile, en raison d'une faible concentration d'ozone en fonctionnement normal. Il est recommandé d'installer et d'utiliser la sonde pureO₃ pendant un assainissement d'ozone suffisamment long pour permettre une polarisation complète.

Si les supports de circulation des sondes sont montés à proximité les uns des autres, il est également possible de placer temporairement les sondes du point 2 et du point 3 successivement dans le support pour le point 1. Cette opération doit être effectuée sans déconnecter les raccords électriques de la sonde. Ce processus doit permettre la polarisation de ces sondes dans de l'eau ozonée en fonctionnement normal.

Installation

La sonde doit être installée dans une zone protégée en intérieur présentant une température relativement stable et homogène, sans sources de chaleur rayonnantes à proximité (conduites de vapeur par exemple).

Il est recommandé d'utiliser des lignes d'échantillonnage en acier inoxydable ou en polymère compatible avec l'ozone. La ligne d'échantillonnage doit être la plus courte possible pour minimiser le délai d'échantillonnage, pouvant produire une décomposition de l'ozone. Par ailleurs, la sonde et l'eau de l'échantillon doivent être facilement accessibles pour l'étalonnage.

Attention : avant installation, la membrane avec l'électrolyte doit être installée sur la sonde. Après un stockage à sec de plus de 2 jours, rincer le corps à membrane à l'eau déionisée et remplacer la solution d'électrolyte de la sonde afin de garantir une réponse complète et une bonne stabilité.

Pour garantir son bon fonctionnement, la sonde doit être installée sur un support à circulation METTLER TOLEDO Thornton.

Le débit doit être compris entre 200 et 500 ml/min.

1. Monter le support à circulation en utilisant les orifices de montage et le matériel approprié pour la plaque. Installer le support à circulation en dessous (ou à côté) du transmetteur ou de tout autre équipement électronique, afin de protéger l'équipement de tous les dommages causés par l'eau. Prévoir un espace suffisant au-dessus de la sonde pour pouvoir la retirer facilement lors des opérations d'étalonnage.
2. Avant de raccorder le support à circulation, rincer la ligne d'échantillonnage en amont à grand débit pour éliminer les particules éventuellement présentes.
3. Monter des raccords appropriés sur les ports 1/4" NPT(F) (0,635 cm) de la chambre de passage, le cas échéant, à l'aide de produit d'étanchéité pour conduite.

Attention : ne serrer les raccords que d'un tour après les avoir serrés à la main. Ne pas serrer trop fort car cela pourrait endommager les filetages en plastique.

4. Raccorder la ligne d'échantillonnage et la ligne d'évacuation. **Le raccord situé en bas correspond à l'entrée fluide.**

Attention : en cas d'utilisation du support en plastique, connecter la ligne d'échantillonnage à un raccord à compression à l'aide d'une deuxième clé afin d'éviter de serrer de façon excessive le filetage de la conduite dans le support, ce qui pourrait l'endommager.

5. Brancher le câble AK9 à la sonde à ozone. Raccorder l'autre extrémité du câble à la voie correspondante du M800 ou un autre transmetteur compatible de METTLER TOLEDO. Voir manuel du transmetteur pour obtenir des instructions.
6. **S'assurer que la solution d'électrolyte a bien été ajoutée dans la sonde avant de continuer.** (voir la section Remplacement de la membrane et de l'électrolyte, page 73).
7. **Retirer le manchon de protection vert et installer la sonde dans la chambre de passage.** Régler le débit pour obtenir une valeur comprise entre 200 et 500 ml/min. Conserver le manchon de protection lors du retrait de la sonde du support de circulation.
8. Utiliser la procédure de polarisation programmée dans le transmetteur M800 pour polariser la sonde dans l'eau avec concentration d'ozone > 50 ppb pour activer la sonde. Cette procédure fournit une tension à répétition à la sonde pendant une durée de 11 minutes et est nécessaire pour une polarisation rapide de la sonde. Voir écrans de menu du M800 pour obtenir des précisions (Le transmetteur METTLER TOLEDO Thornton M800 sert de référence dans ce manuel. Veuillez consulter le manuel approprié pour les autres transmetteurs.):



Cet écran s'affiche lorsque la sonde est connectée.



Le M800 calcule la durée de polarisation. Appuyer sur **Enter** (entrée) pour accéder au menu avancé.



Le M800 décompte automatiquement la durée restante du processus de polarisation.

9. Laisser sous tension pendant au moins 6 heures dans un échantillon du procédé ayant une concentration d'ozone supérieure à 50 ppb pour stabiliser la mesure avant de réaliser un étalonnage de comparaison et un étalonnage du zéro, comme décrit ci-dessous.

Étalonnage

L'étalonnage de la sonde calcule les nouvelles constantes d'étalonnage pour la sonde (courant nul et une pente). Le courant nul est normalement de ± 1 nA. La pente est généralement comprise entre $-0,05$ et $-0,35$ nA/ppb d'ozone.

Les données d'étalonnage d'une sonde associée aux transmetteurs M300/M800 sont stockées dans une mémoire non volatile et peuvent être visualisées dans le menu ISM/Calibration Data (ISM/Données d'étalonnage) pour la voie appropriée.

Les données d'étalonnage d'une sonde associée au transmetteur M200 peuvent être utilisées via le mode INFO/Calibration Data (INFO/Données d'étalonnage).

Pour la plupart des applications, de l'air ou de l'eau ne contenant pas d'ozone constituent les étalons les plus fiables pour l'étalonnage du courant nul.

Consigne : pour une polarisation complète et un bon fonctionnement, la sonde doit être raccordée à un transmetteur alimenté et dans un échantillon de procédé d'une concentration d'ozone supérieure à 50 ppb pendant 6 heures minimum avant l'étalonnage ou la mesure afin que la précision établie soit garantie. Pour optimiser les résultats, il est recommandé de procéder à un nouvel étalonnage (ajustage de la pente) au bout de 24 heures de fonctionnement.

Pour connaître les stratégies de polarisation et d'étalonnage des sondes en l'absence d'ozone, se reporter à l'annexe à la fin de ce manuel.

Procédure d'étalonnage du zéro

L'étalonnage du courant nul doit être effectué à intervalles irréguliers par la suite puisque ce point ne varie normalement pas de manière significative. Un étalonnage du zéro passe de la valeur d'usine au courant nul.

1. La fonction HOLD (maintien) du transmetteur s'active automatiquement, selon les paramètres de l'utilisateur. Se reporter au manuel du transmetteur pour obtenir des informations concernant la programmation du paramètre HOLD.
2. Fermer le débit d'échantillon en direction du support à circulation et, tout maintenant la sonde raccordée électriquement, retirer la sonde et la suspendre à l'air libre (s'assurer que tous les liquides susceptibles de contenir de l'ozone sont évacués et que la membrane de la sonde est séchée à l'aide d'un chiffon non pelucheux).
3. Attendre d'obtenir un résultat stable pour la concentration d'ozone, en général 15 minutes. Le transmetteur devrait indiquer un résultat stable à moins de 1 ppb avant de lancer l'étalonnage.

4. Accéder au menu CALIBRATION (étalonnage) du transmetteur. Effectuer un étalonnage du zéro en un point.

Le menu du transmetteur M800 apparaît ici. Veuillez consulter le manuel approprié pour les autres transmetteurs.



- a. Accéder au **menu Calibration** (étalonnage).



- b. Sélectionner **Calibrate Sensor** (étalonner la sonde).



- c. Sélectionner la **voie** et les **unités**. Régler la méthode sur **1 point**. Appuyer sur **Cal**.



- d. Placer la sonde dans une concentration d'ozone égale à zéro. Appuyer sur **Next** (suivant).



- e. Appuyer sur **Next** (suivant) pour étalonner le point zéro.



- f. Appuyer sur **Adjust** (régler) pour accepter l'étalonnage.



- g. Appuyer sur **Done** (terminé) pour retourner aux mesures.
5. À l'issue de l'étalonnage, réinstaller la sonde dans le support à circulation.
 6. Exécuter plusieurs cycles de mise en marche et d'arrêt du débit pour éliminer les bulles d'air résiduelles. Rétablir un débit compris entre 200 et 500 ml/min.
 7. Lorsque la mesure est revenue à une valeur normale et stable, désactiver la fonction HOLD (maintien) du transmetteur ou attendre que le délai d'activation soit écoulé. Se reporter au manuel du transmetteur pour obtenir des instructions.

Procédure d'étalonnage procédé de la pente

Le signal de sortie de la sonde d'ozone dissous varie légèrement au fil du temps du fait de l'usure de l'électrolyte, de la membrane et des électrodes. Il est donc nécessaire d'effectuer un étalonnage périodique de mesure standard de l'ozone, en fonction de l'expérience de l'utilisateur dans ce type d'application. L'étalonnage de la pente est recommandé tous les six mois. Le cycle d'étalonnage peut changer selon l'application et les exigences de précision. Un étalonnage de la pente s'effectue par comparaison en mesurant un échantillon ozoné stable. Utiliser la valeur d'un autre système d'ozone de référence en utilisant le même échantillon d'eau.

Les mesures réalisées avec un colorimètre sont des normes acceptées pour déterminer la concentration d'ozone. Les colorimètres ont une précision limitée et sont plus précis à des concentrations plus élevées. Il est recommandé d'étalonner la pente au cours de l'assainissement à un niveau élevé et stable, à plus de 200 ppb p. ex., si possible. L'étalonnage de la pente ne doit pas être effectué dans des endroits où l'ozone a été éliminé par UV.

Du fait de la décomposition rapide de l'ozone dans les échantillons et de la répétabilité limitée de la méthode de mesure colorimétrique de l'ozone, il est bon de réaliser au moins trois mesures colorimétriques pour établir une cohérence et d'en réaliser une quatrième en cas d'écart important entre les trois premières. Pour l'étalonnage, utiliser la moyenne de deux mesures cohérentes (p. ex. à 10 ppb l'une de l'autre).

Les échantillons à analyser au colorimètre doivent être prélevés au même point et très vite mesurés pour limiter les erreurs dues à la décomposition naturelle rapide de l'ozone. L'étalonnage de la pente modifiera la valeur de pente enregistrée. Pour une meilleure précision, étalonner à la température normale de fonctionnement de l'échantillon.

1. Le transmetteur et la sonde doivent fonctionner au moins 6 heures dans un échantillon contenant plus de 50 ppb d'ozone. Il convient de remarquer que pour un étalonnage précis, le niveau d'ozone doit être de 200 ppb minimum.
2. Une fois que l'état d'ozonation et que la mesure correspondante sont stables, consigner la valeur indiquée sur la sonde en ligne.
3. Accéder au menu CALIBRATION (étalonnage) du transmetteur afin d'effectuer un étalonnage de la pente.



a. Accéder au **menu Calibration** (étalonnage).



b. Sélectionner **Calibrate Sensor** (étalonner la sonde).



c. Sélectionner la **voie** et les unités. Régler la méthode sur **Process** (procédé) et **Slope** (pente). Appuyer sur **Cal**.



d. Appuyer sur **Enter** (entrée) lorsque la valeur est stable pour enregistrer la valeur d'ozone.



e. Retourner au **menu Calibration** (étalonnage).



f. Saisir la concentration d'ozone de référence.
Appuyer sur **Next** (suivant) pour étalonner la pente.



g. Appuyer sur **Adjust** (régler) pour accepter l'étalonnage.



h. Appuyer sur **Done** (terminé) pour retourner aux mesures.

Les points de mesure situés immédiatement avant et après l'unité UV sont généralement proches et doivent donner le même résultat lorsque l'unité UV est éteinte. En conséquence, un point peut être étalonné pour correspondre au résultat colorimétrique et le second point peut être étalonné pour correspondre au premier point. Une mesure colorimétrique séparée doit être réalisée pour la fin de la boucle de distribution, car la décomposition normale de l'ozone peut entraîner une chute importante de la concentration.

Diagnostic d'étalonnage

La valeur de courant nul est recalculée à chaque nouvel étalonnage du zéro. La valeur affichée est exprimée en nanoampères et se situe généralement dans la plage de ± 1 nA pour une sonde en fonctionnement.

La pente est recalculée à chaque nouvel étalonnage de la pente et se situe généralement dans la plage de $-0,05$ à $-0,35$ nA/ppb d'ozone. Le tableau ci-dessous présente les plages et la nomenclature pour les données d'étalonnage. Les valeurs de pente sont affichées avec une polarité négative (-).

Étalonnage du zéro (air)	Étalonnage de la pente
Courant nul : ± 1 nA	Pente : $-0,05$ à $-0,35$ nA/ppb d'ozone

L'évolution constante des valeurs de pente dans une direction après plusieurs étalonnages peut indiquer que la sonde dérive et qu'il faut remplacer l'électrolyte (et éventuellement la membrane). Les variations à la hausse et à la baisse des valeurs de pente peuvent indiquer des limites de la répétabilité de la mesure de référence.

Stockage de la sonde

Stocker la sonde à température ambiante avec son embout plongé dans de l'eau. Pour un stockage à sec de plus de 2 jours, enlever l'électrolyte et rincer les pièces internes avec de l'eau déionisée. Laisser sécher et stocker la membrane démontée des sondes. L'électrolyte doit alors être remplacé et la membrane réassemblée avec la sonde, avant de les replacer dans l'eau de procédé.

Maintenance

Nettoyage

Un nettoyage n'est en principe pas nécessaire dans les applications de production d'eau pure prévues pour cette sonde. Toute accumulation de matières solides à la surface de la membrane ou dans le support à circulation doit être éliminée par rinçage ou en nettoyant avec un produit approprié. Si un nettoyage physique est indispensable, utiliser un chiffon non pelucheux et le passer très délicatement.

Avertissement : Respecter les mesures de précaution habituelles lors de la manipulation des produits de nettoyage.

Indications de maintenance

Il n'est pas nécessaire de remplacer fréquemment **l'électrolyte**. L'électrolyte de la sonde pureO₃ est optimisé pour des mesures longue durée (6 mois à 200 ppb d'ozone).

Le corps à membrane et l'électrolyte doivent être changés une fois par an ou si, lors d'une inspection visuelle, des signes d'endommagement mécanique sont constatés. Ils doivent également être remplacés si la sonde présente un temps de réponse croissant ou décroissant important, indiqué par une tendance de valeur de pente sur un certain nombre d'étalonnages de pente, ou si la sonde ne peut pas être étalonnée.

L'élément sensible de la sonde ou l'intégralité de la sonde doit être remplacé si, lors d'une inspection visuelle, une fissure du verre de l'élément sensible est constatée ou si la sonde présente un courant de fuite. (Une fois que l'électrolyte et le corps à membrane ont été retirés et que l'élément sensible a été soigneusement séché, le transmetteur doit indiquer une valeur proche de zéro.)

Au fur et à mesure de l'utilisation de la sonde, l'anode (section intermédiaire de l'élément sensible) peut développer diverses nuances de vert à sa surface ; ce phénomène est normal et n'affecte pas les performances de la sonde.

Avertissement : éviter tout contact de l'électrolyte avec les yeux ou avec les muqueuses. Porter des gants pour effectuer le démontage. En cas de contact avec les yeux ou la peau, rincer abondamment la zone touchée à l'eau claire. Si des manifestations gênantes se produisent, consulter un médecin. Pour plus d'informations voir fiches de données de sécurité pour l'électrolyte.

Remplacement de la membrane et de l'électrolyte

Le démontage de la sonde doit uniquement avoir lieu dans une zone de travail propre. Se référer à la figure 3 à la page 78 pour l'identification des pièces.

1. Dévisser le manchon du corps de sonde et le retirer soigneusement de la sonde.
2. Au besoin, expulser le corps à membrane du manchon en le poussant à l'extrémité avec le bout du doigt. (Avant de remettre de l'électrolyte, le corps à membrane doit être retiré du manchon.)
3. Rincer le corps interne à l'eau désionisée et le sécher avec un mouchoir en papier.
4. Examiner visuellement les joints toriques pour vérifier l'absence de défauts mécaniques et les remplacer si nécessaire.
5. Rincer l'élément sensible (anode, protection et cathode) avec l'électrolyte pureO₃ (réf. 30 135 837).
6. Remplir à moitié le nouveau corps de membrane avec l'électrolyte pureO₃.

Important: s'assurer que toutes les bulles d'air sont éliminées de l'électrolyte dans le corps à membrane. Pour les supprimer, tapoter fermement sur le côté du corps.

7. Faire glisser le corps à membrane sur l'élément sensible en maintenant la sonde en position verticale. L'électrolyte en excès qui s'échappe doit être absorbé avec un mouchoir en papier.

Remarque: il ne doit y avoir ni électrolyte, ni échantillon à analyser, ni contamination entre le corps à membrane et le manchon. S'assurer que les deux pièces sont propres et sèches.

8. Faire glisser soigneusement le manchon sur le corps à membrane en maintenant la sonde en position verticale et serrer fermement.
9. Après un changement d'électrolyte et de corps à membrane, repolariser complètement la sonde (utiliser la procédure de polarisation du transmetteur) en présence d'ozone et procéder à un nouvel étalonnage.

Remplacement de l'élément sensible

Le démontage de la sonde doit uniquement avoir lieu dans une zone de travail propre. Se référer à la figure 3 à la page 78 pour l'identification des pièces.

1. Dévisser le manchon du corps de sonde et le retirer soigneusement de la sonde.
2. Au besoin, expulser le corps à membrane du manchon en le poussant à l'extrémité avec le bout du doigt. Avant de recharger l'électrolyte, le corps à membrane doit être retiré du manchon.
3. Dévisser l'écrou de maintien de l'élément sensible avec une clé de 9,5 mm (3/8") ou une clé réglable, puis le retirer.

- Ôter l'élément sensible en le tirant hors du corps de la sonde. Si nécessaire, utiliser une pince.

Attention : ne pas tordre le corps interne car cela endommagerait les broches du connecteur.

- Insérer le nouvel élément sensible dans le corps de la sonde. Le tourner dans l'élément sensible dans le corps de l'électrode jusqu'à ce que sa fente soit alignée avec la broche du corps.
- Appuyer sur l'élément sensible pour le faire pénétrer dans le corps. Visser le nouvel écrou de maintien.
- Passer à l'étape 4 de la section **Remplacement de la membrane et de l'électrolyte.**

Conseils de maintenance

Généralement, il est nécessaire d'entretenir plus fréquemment les sondes qui sont continuellement exposées à l'ozone.

Une dérive descendante dans les valeurs d'ozone (voir la section relative à la maintenance) indique en règle générale qu'il est nécessaire de remplacer l'électrolyte. Cependant, lorsqu'un régulateur PID automatique de l'ozone est basé sur la mesure du point 1, le système de contrôle augmente le taux d'ozonation pour maintenir le résultat au niveau du seuil. (Voir figure 1) Dans ce cas, les symptômes observés sont un taux d'ozonation croissant et des mesures colorimétriques dépassant régulièrement les résultats de l'instrument en ligne.

Lorsque l'utilisateur est suffisamment familiarisé avec un système de génération d'ozone particulier, il est possible de planifier la maintenance des sondes afin de réduire les interruptions de procédé.

Conseils de dépannage

Si un courant nul est instable ou hors limites :

- Eau sur la membrane
 - Vérifier que la surface de la membrane est sèche
- Bulles dans l'électrolyte
 - Retirer la cartouche de la membrane, vérifier l'absence de bulles d'air dans l'électrolyte
- Électrolyte encrassé
 - Remplacer l'électrolyte, réassembler et réétalonner la sonde
- Membrane arrivée à expiration
 - Remplacer la membrane et l'électrolyte, réassembler et réétalonner la sonde

- Élément sensible arrivé à expiration
 - Remplacer l'élément sensible de la sonde, la membrane et l'électrolyte, réassembler et réétalonner la sonde

Si la pente est trop faible :

- Contamination de la cathode (p. ex. : sébum)
 - Nettoyer délicatement la cathode avec de l'eau tiède savonneuse
 - Rincer la cathode après l'avoir nettoyée abondamment à l'eau déionisée
- Electrolyte encrassé
 - Remplacer l'électrolyte, réassembler et réétalonner la sonde

Si la pente est trop élevée :

- Membrane arrivée à expiration
 - Remplacer la membrane et l'électrolyte, réassembler et réétalonner la sonde

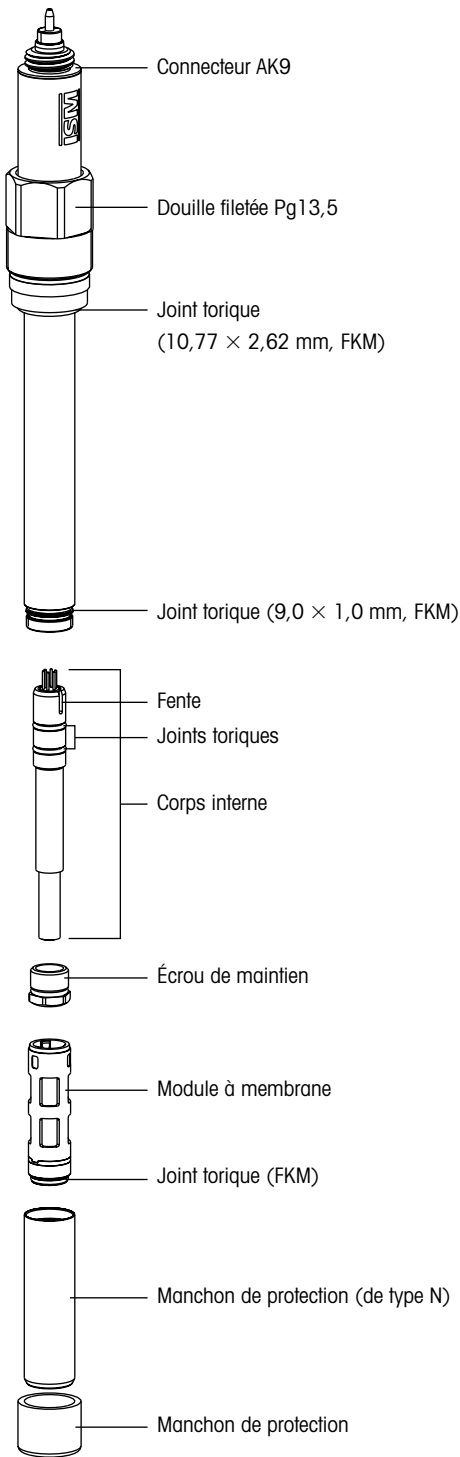


Figure 3 : Identification des composants de la sonde d'ozone pour les besoins de maintenance

Caractéristiques techniques

Débit de l'échantillon	200 à 500 ml/min dans le support ; 0,15 à 1 m/s sans support
Température de l'échantillon	5–50 °C pour la compensation ; tolérance jusqu'à 100 °C
Pression de l'échantillon	0,8 à 3 bars relatifs (0 à 45 psig)
Raccords d'échantillon	NPT(F) 1/4" (0,635 cm)
Matériaux en contact avec le liquide	support à circulation en polycarbonate ou en acier inoxydable 316L, sonde en acier inoxydable 316L/1.4404, membrane en caoutchouc de silicone, joints toriques FKM
Longueur du câble	1–80 m (voir tableau à la page 81)
Poids	227 g
Précision relative du système*	± 1 % de la lecture ou 1 ppb, selon la valeur la plus élevée
Limite de détection	± 1 % de la lecture ou 0,4 ppb, selon la valeur la plus élevée
Précision de la température	± 0,5 °C
Temps de réponse	45 secondes pour 90 % de la valeur finale, ascendant
Temps de polarisation standard	6 heures à plus de 50 ppb (avec utilisation de la procédure de polarisation du transmetteur approprié)
Plage de mesure	0 à 5 000 ppb, 0 à 5 ppm à court terme ; 0 à 500 ppb, 0 à 0,5 ppm en continu
Progiciel de l'instrument	version 1.5.01 ou supérieure du M800 version 1.0.01 ou supérieure du M300 version 2.2.00 ou supérieure du M200

* La précision du système dépend de la précision du système de référence utilisé pour l'étalonnage

Pièces de rechange

	Réf.
Sonde pureO ₃ de rechange (longueur standard de 120 mm)	30 139 305
Kit de membranes pour sonde pureO ₃ avec électrolyte, 4 membranes et joints toriques	30 235 170
Élément sensible pour pureO ₃	30 236 790
Electrolyte pureO ₃ , 25 ml	30 135 837
Support de circulation de rechange (polycarbonate)	58 084 012
Support de circulation de rechange (acier inoxydable)	58 084 020

Accessoires

Câbles AK9 de rechange pour instruments ISM	Réf.
1 m	59 902 167
3 m	59 902 193
5 m	59 902 213
10 m	59 902 230
20 m	52 300 204
30 m	52 300 393
50 m	52 300 394
80 m	52 300 395

ISM

Les fonctions Intelligent Sensor Management fournissent les informations de maintenance prédictive suivantes sur l'écran d'un transmetteur M800 et M300 :

Identification complète de la sonde

- Type de sonde
- Numéro de série
- Historique des étalonnages
- Étalonnage réel
- Étalonnage usine
- 3 derniers étalonnages

Diagnostics prédictifs

- **ACT** (Adaptive Calibration Timer, minuterie d'étalonnage adaptatif)
 - Le minuteur d'étalonnage adaptatif indique le délai restant avant le prochain étalonnage recommandé, en fonction de la durée et de la concentration d'exposition à l'ozone.
- **TTM** (Time To Maintenance, temps restant jusqu'à la maintenance de l'électrolyte et du corps à membrane)
 - Indique le délai restant avant le prochain remplacement recommandé de l'électrolyte et de la membrane, en fonction de la durée et de la concentration d'exposition à l'ozone.
- **DLI** (Dynamic Lifetime Indicator, indicateur dynamique de durée de vie) pour élément sensible
 - Intègre la concentration d'ozone pour prédire le remplacement recommandé de l'élément sensible.
- **SAN** (compteur d'assainissement)
 - La limite de concentration d'ozone et la durée du cycle d'assainissement peuvent être définies sur le transmetteur
 - Les cycles d'assainissement ne sont pas pris en compte dans les calculs DLI/ACT/TTM.

Protection de l'environnement

Les produits électriques usagés ne devraient pas être jetés avec les déchets ménagers. Merci de les déposer dans les points de collecte afin qu'ils soient recyclés. Contactez vos autorités locales ou votre vendeur pour obtenir des conseils en matière de recyclage.



Garantie

En cas de défauts de fabrication, une garantie de 12 mois à compter de la date de production s'applique.

For addresses of METTLER TOLEDO
Market Organizations please go to:
www.mt.com/contacts

METTLER TOLEDO Group
Process Analytics Division
Local contact: www.mt.com/contacts

**UK
CA**

www.mt.com/pro

Subject to technical changes.
© 08/2023 METTLER TOLEDO.
All rights reserved.
Printed in Switzerland. 30 236 792 D

